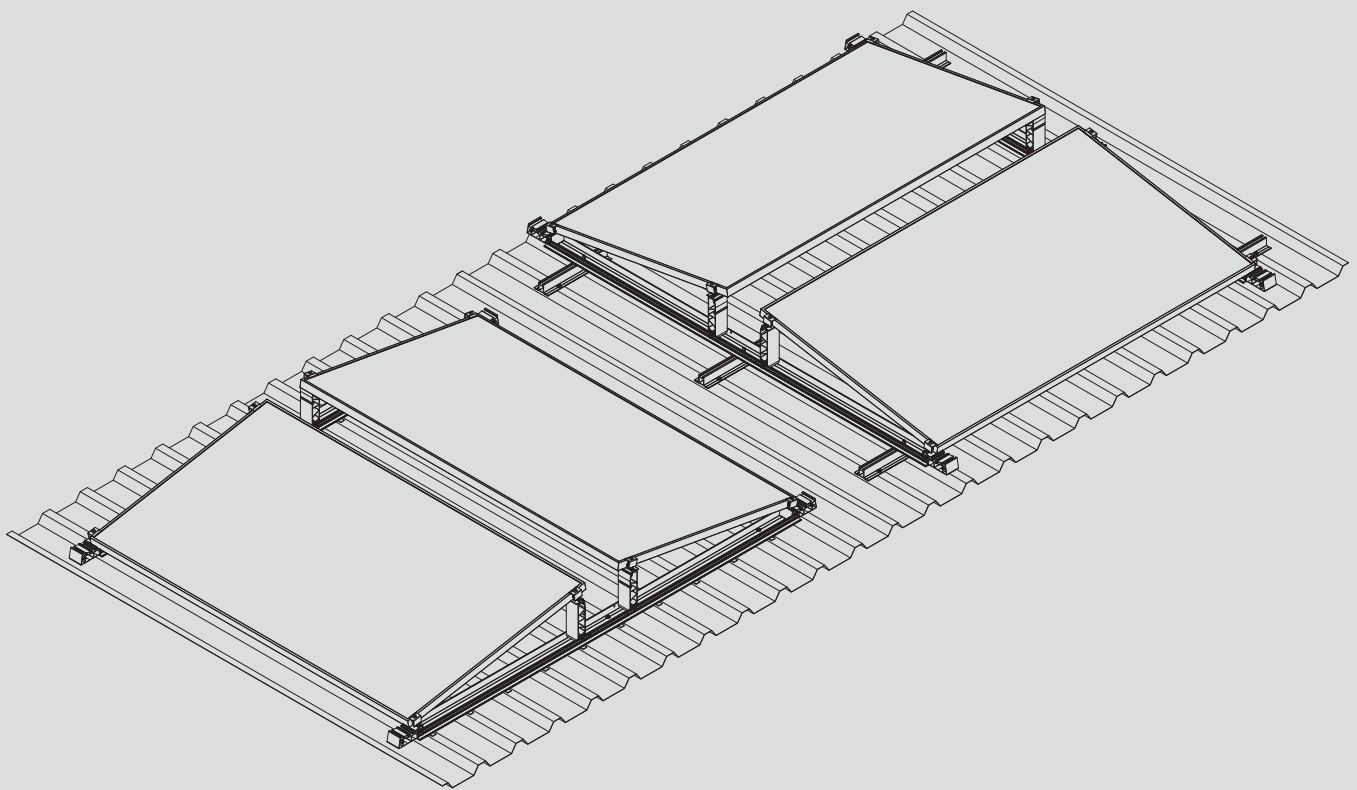


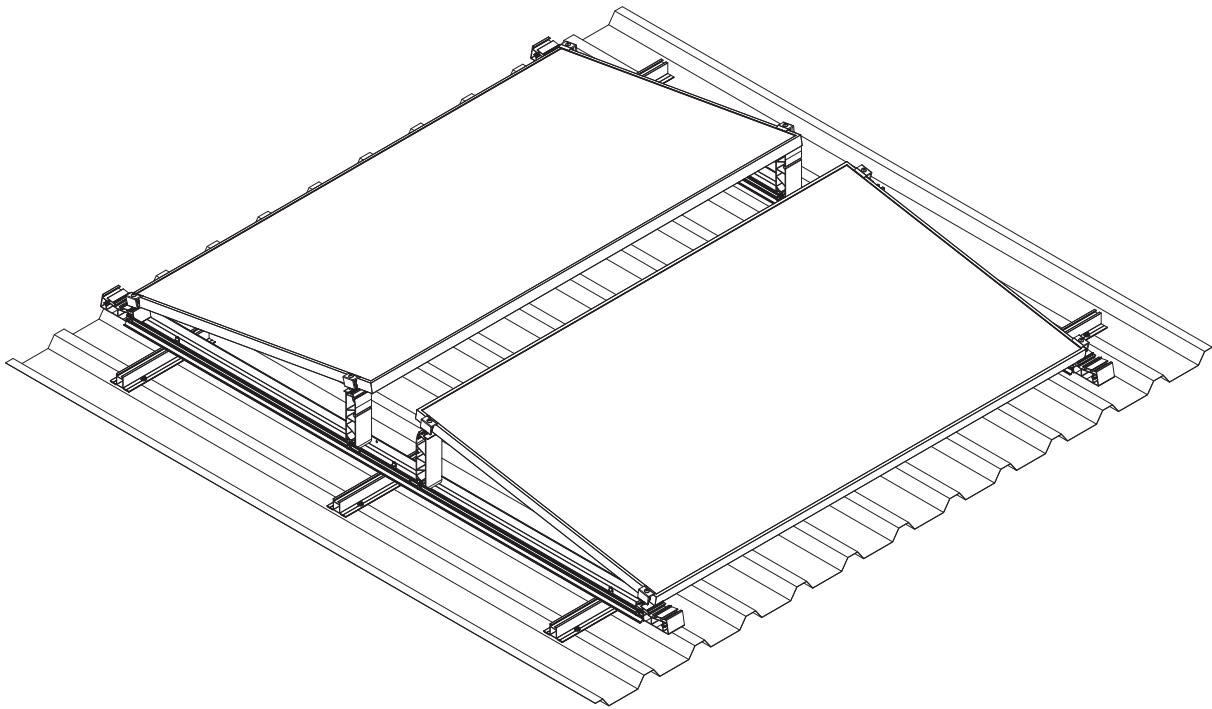
# Renusol *FS* Pro 10-EW-T

EN | Installation Guide

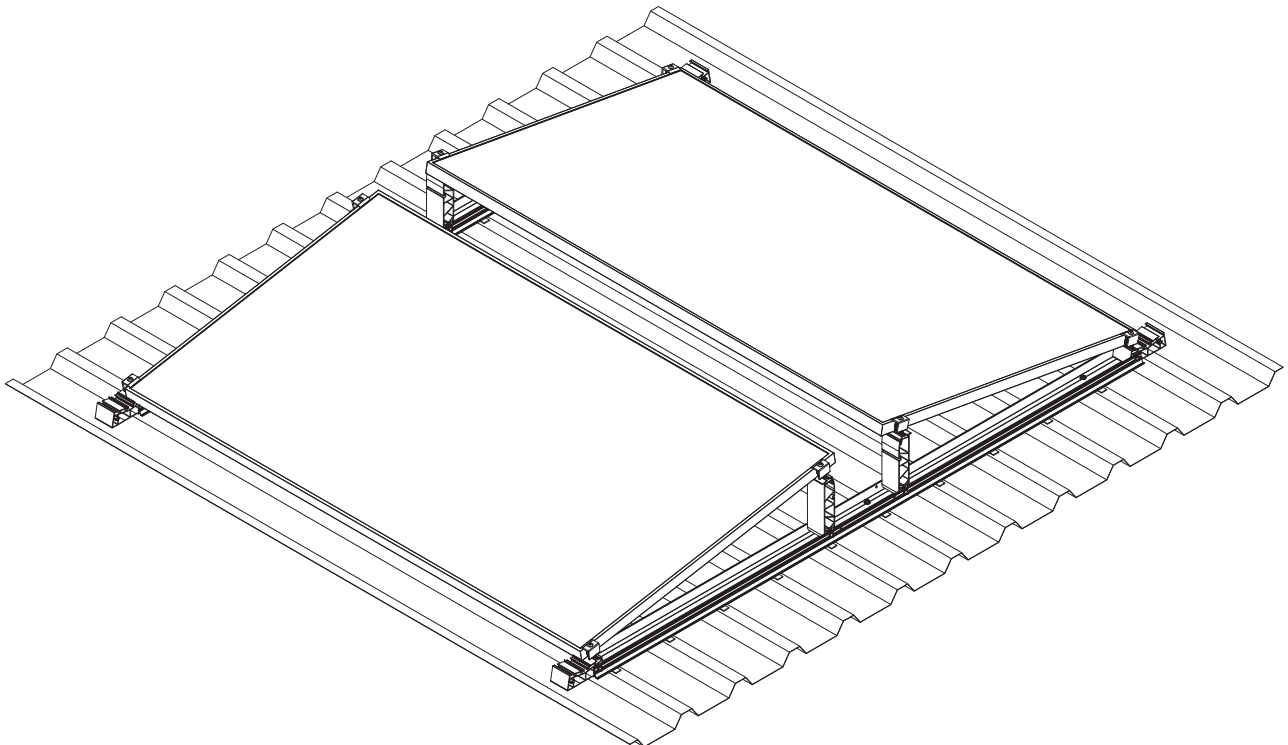




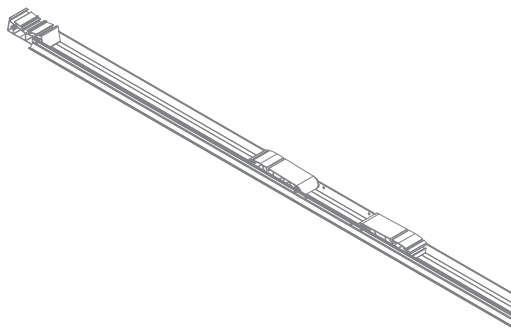
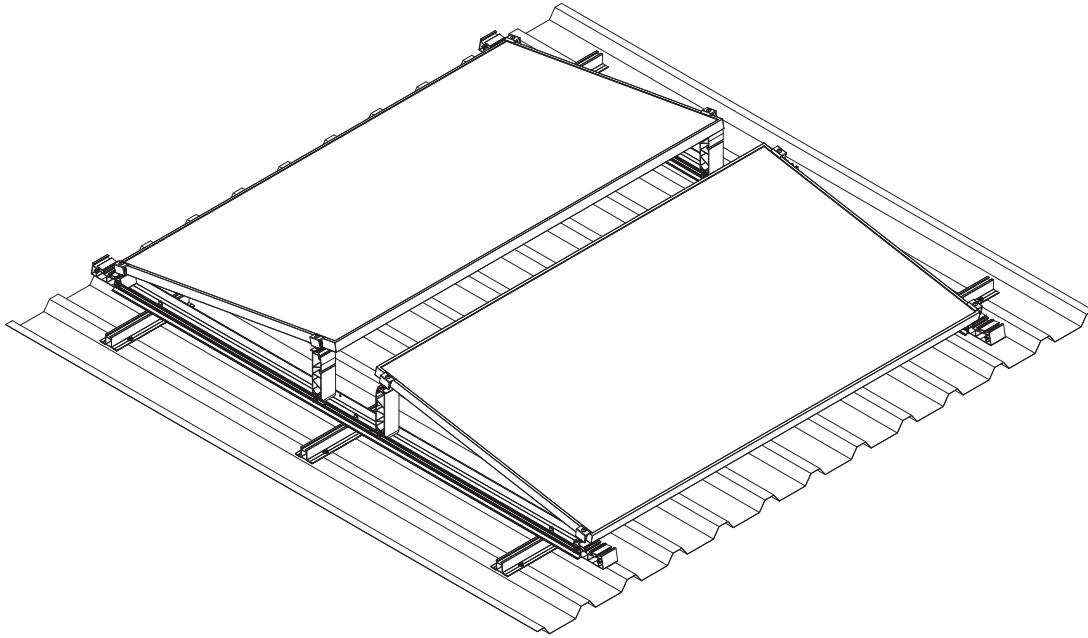
**Renusol FS Pro 10-EW-T - parallel to the high rib**



**Renusol FS Pro 10-EW-T - crossing the high rib**



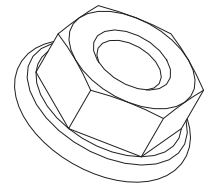
# Renusol FS Pro 10-EW-T - parallel to the high rib



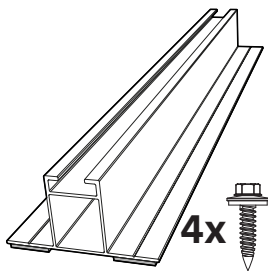
R520243  
FS Pro 10-EW Base rail 2300 (Set) IFP

R520245  
FS Pro 10-EW Base rail 2380 (Set) IFP

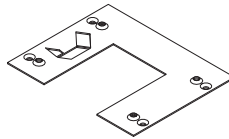
R900001  
Hexagon Nut w. serration  
M8



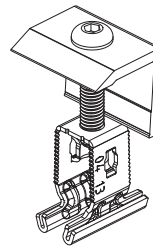
R420420 / R420421  
MS+P (350 / 400 mm)



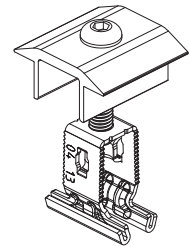
R900268 (optional)  
P-Clip Potential equalization



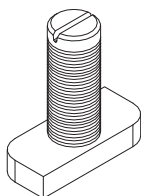
R420081 / R420081-B  
End clamp+  
End clamp+ (black)



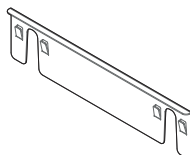
R420082 / R420082-B  
Middle clamp+  
Middle clamp+ (black)



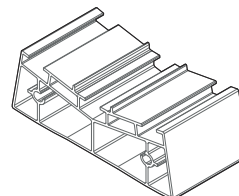
R900009  
Hammerhead bolt M8 x 20



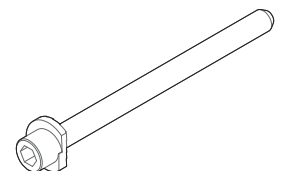
R500261  
FS Pro Potential equalisation  
clip EW



R500232  
FS Pro 10-EW Eave support

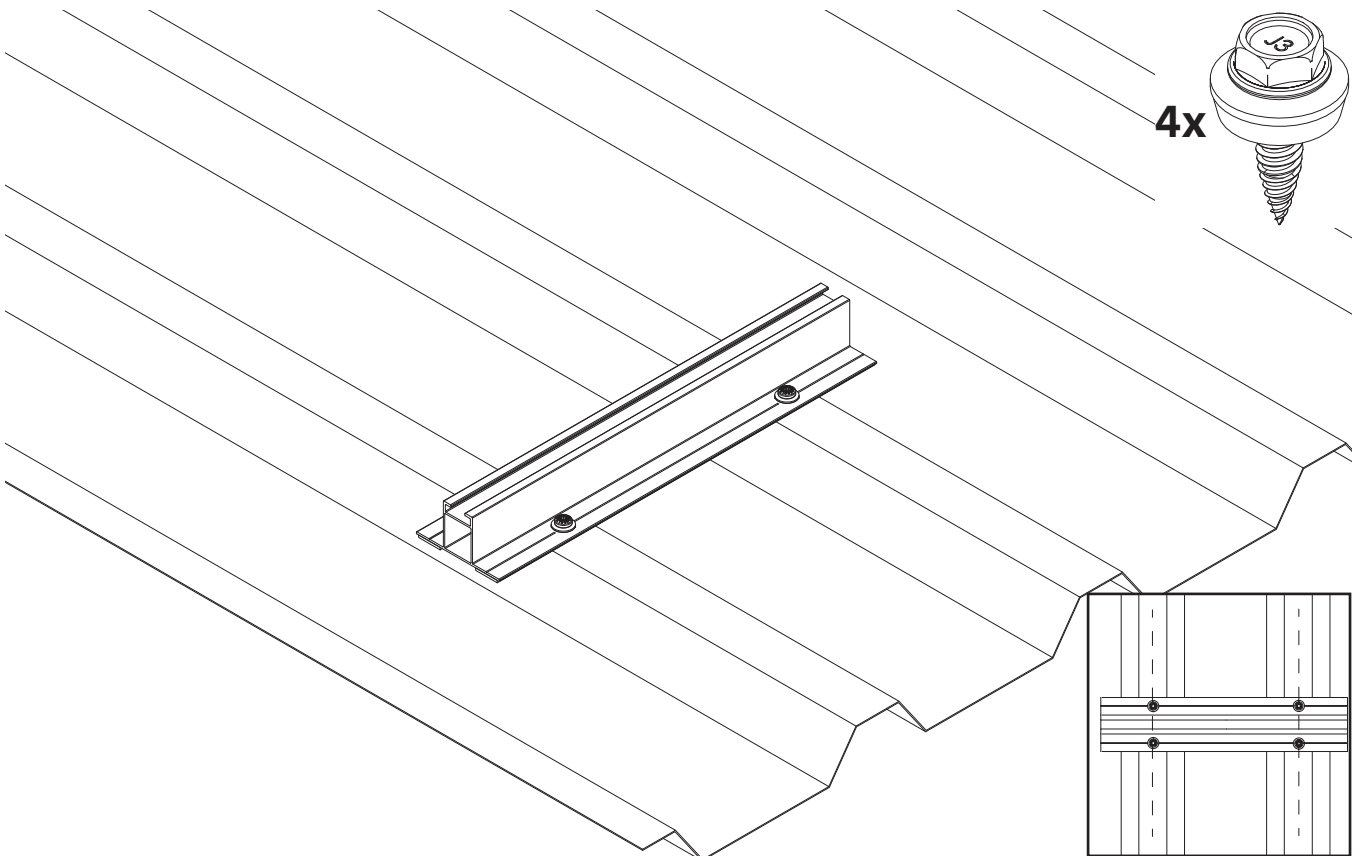
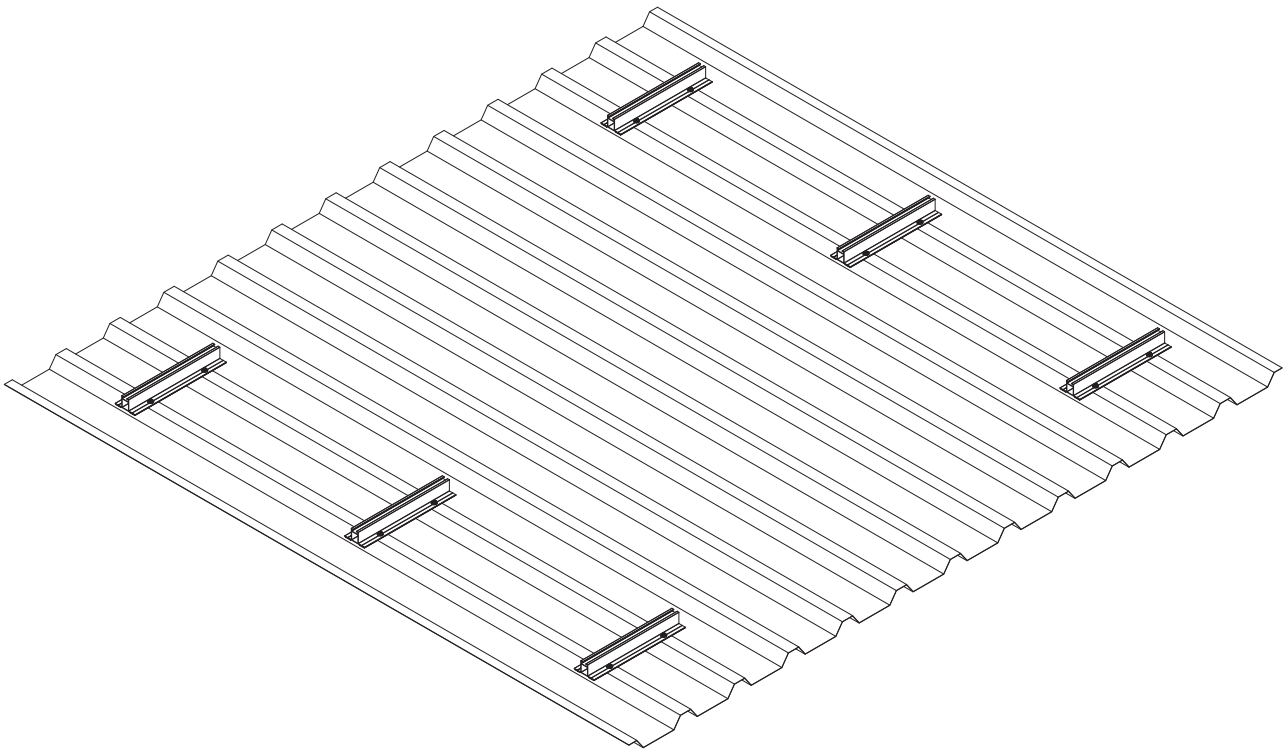


R500227  
FS Pro Securing bolt

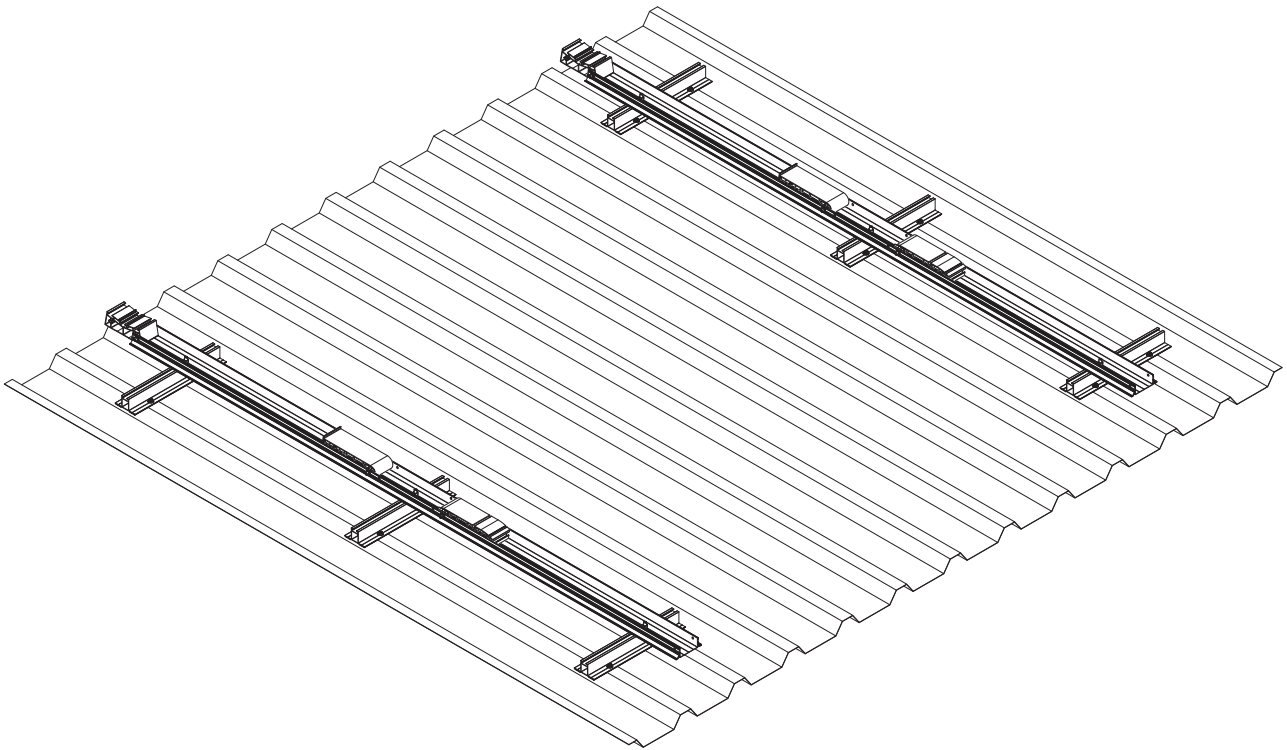




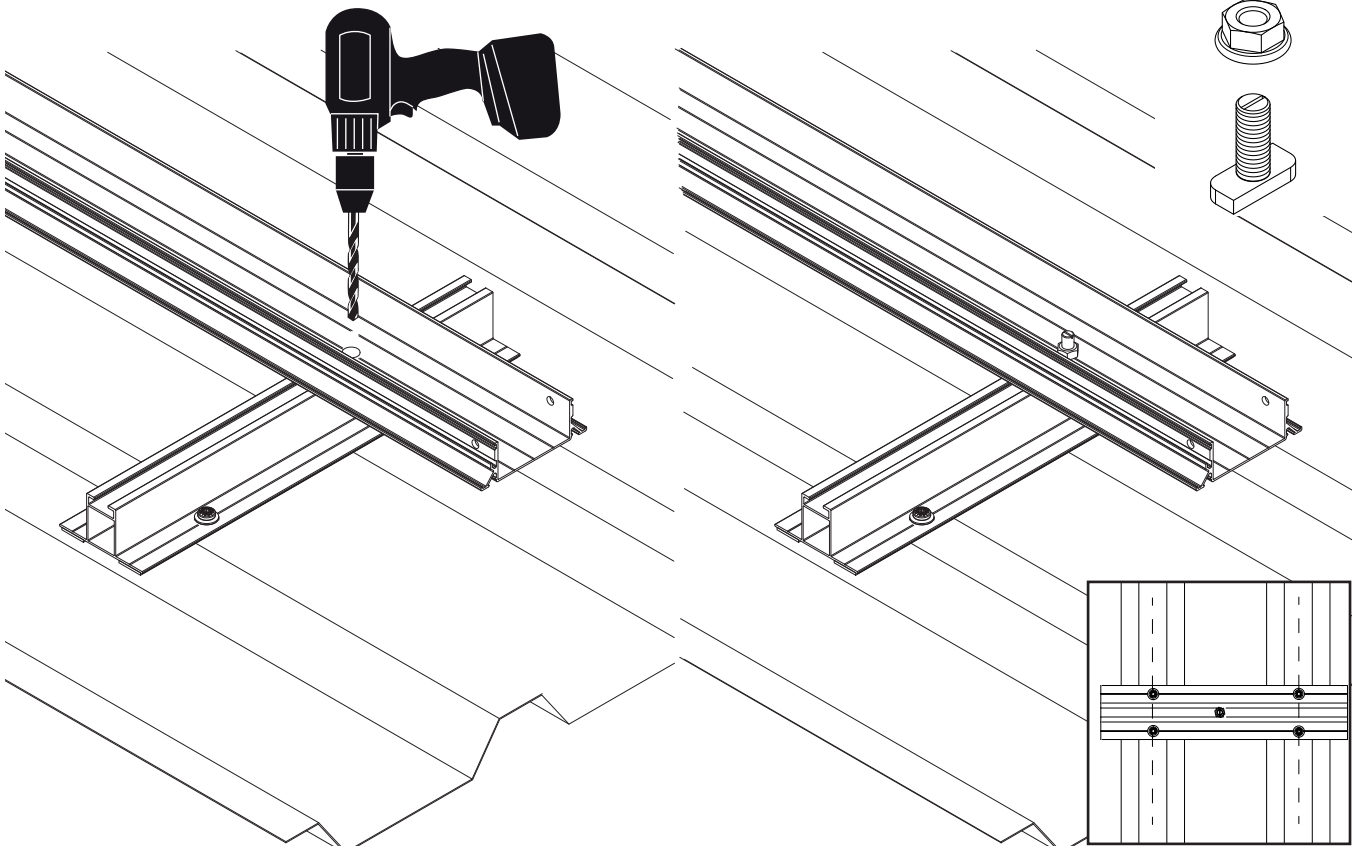
2.



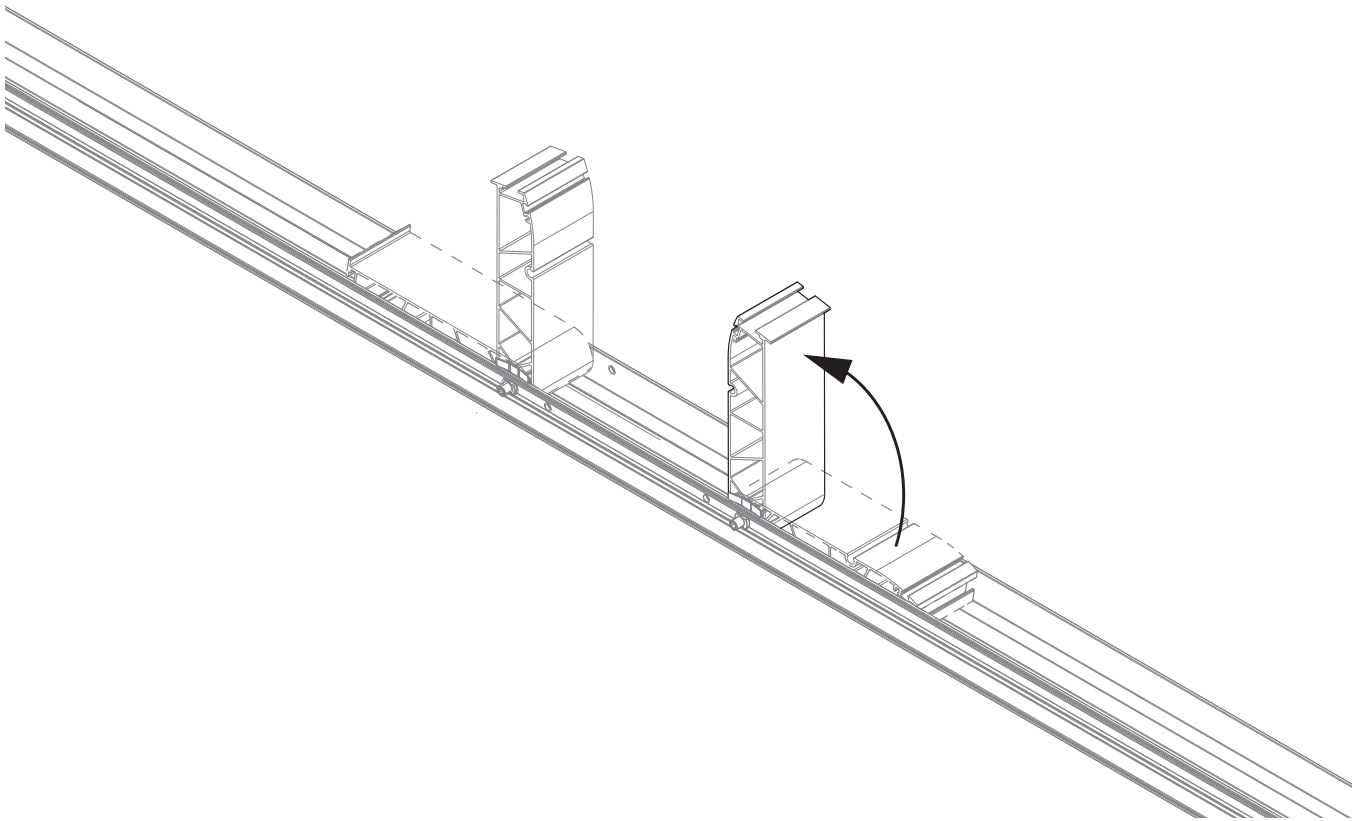
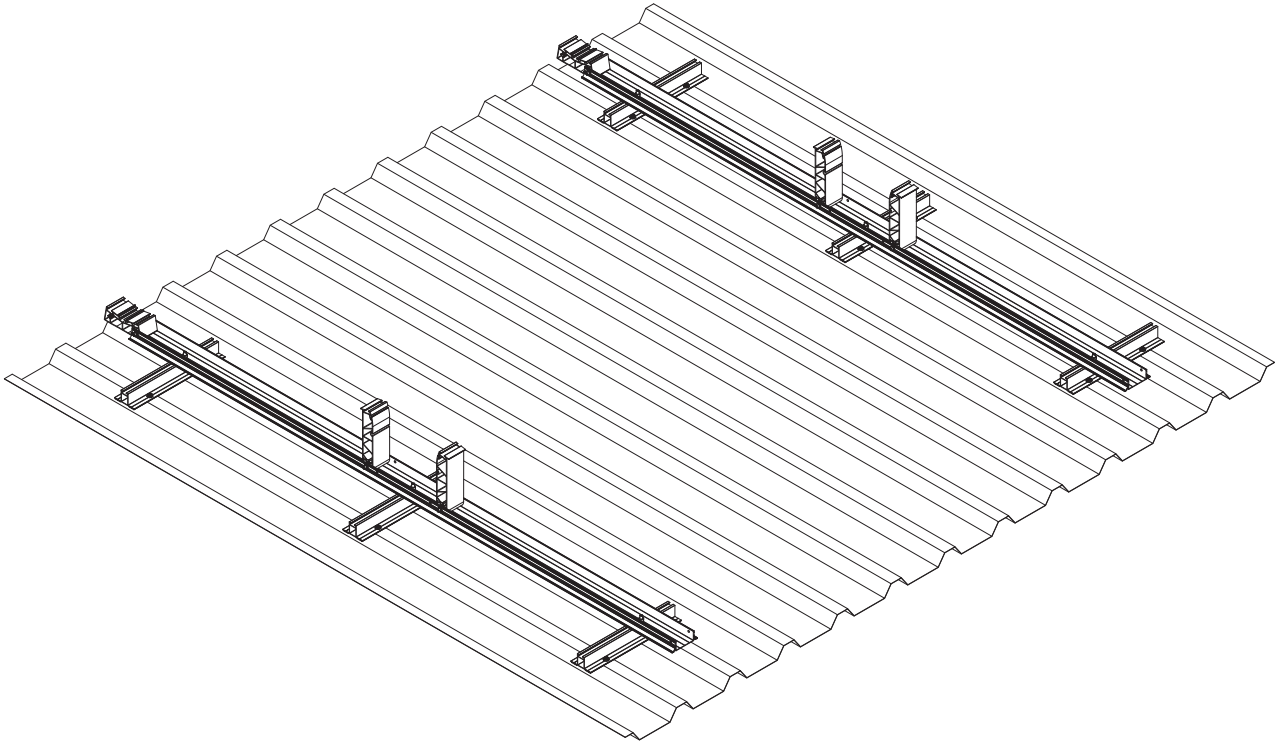
3.



Ø8,5 mm

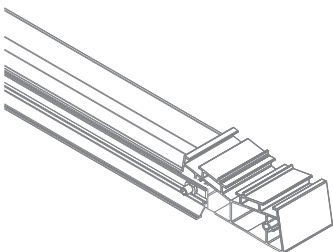
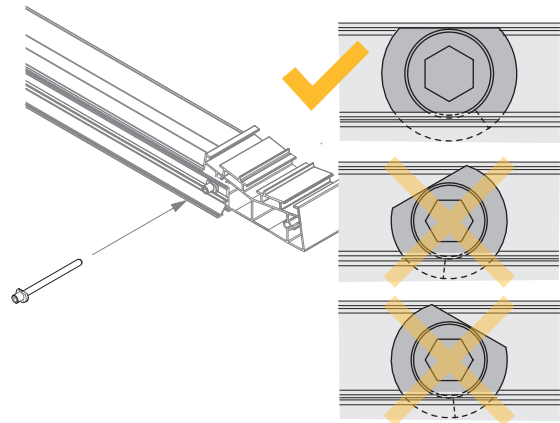
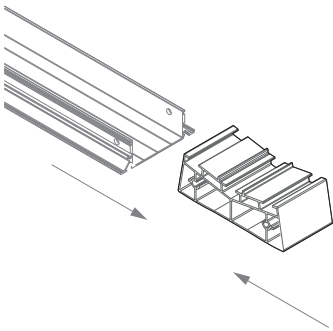
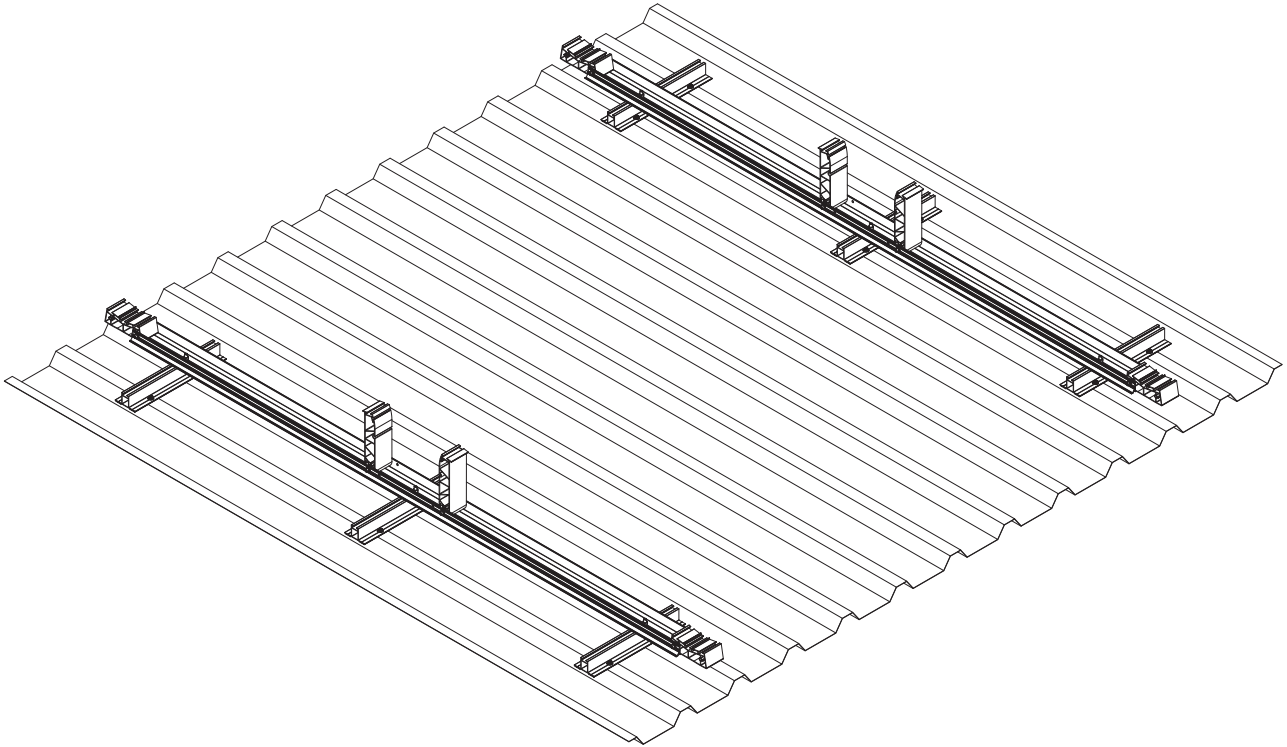


4.

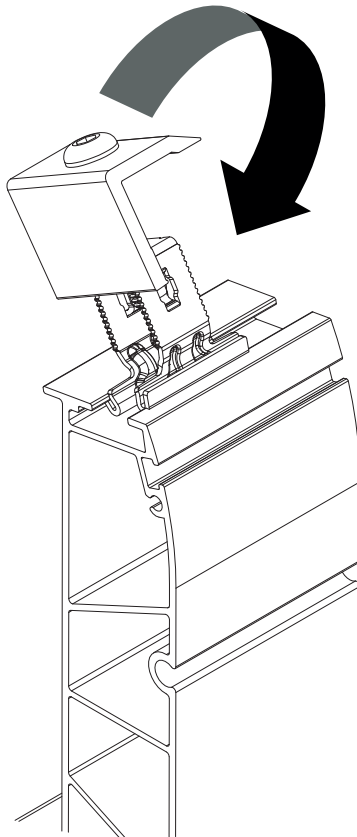
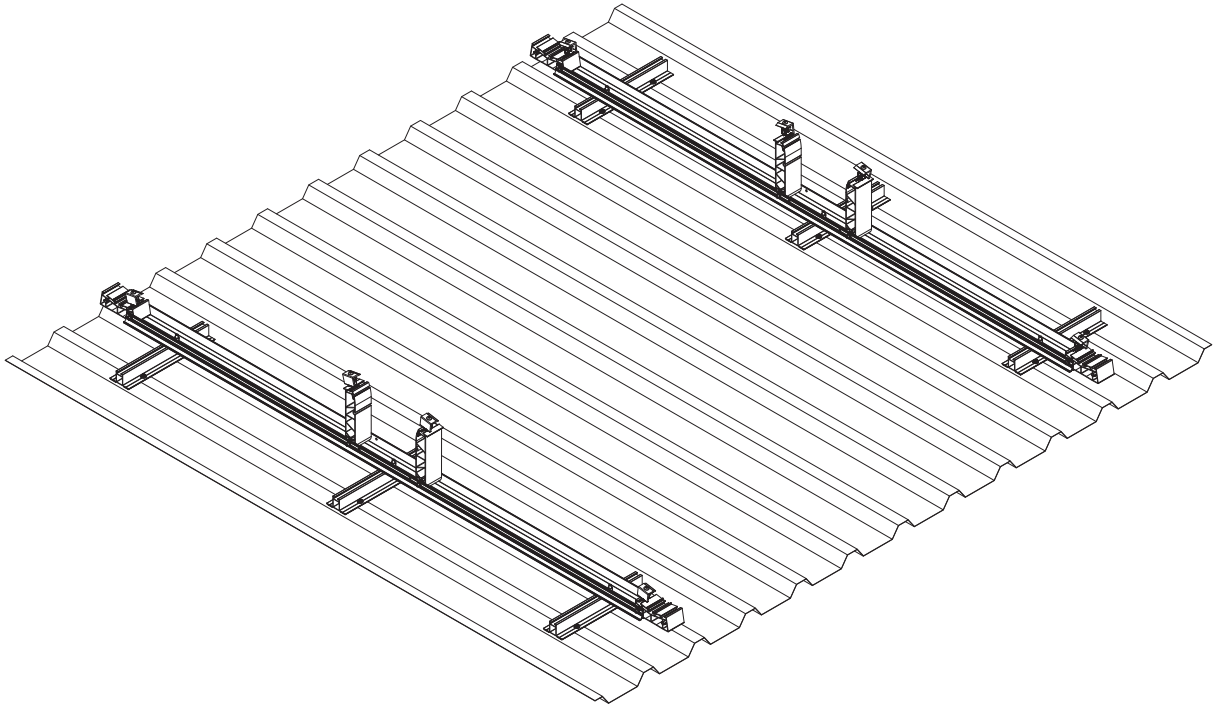


5.

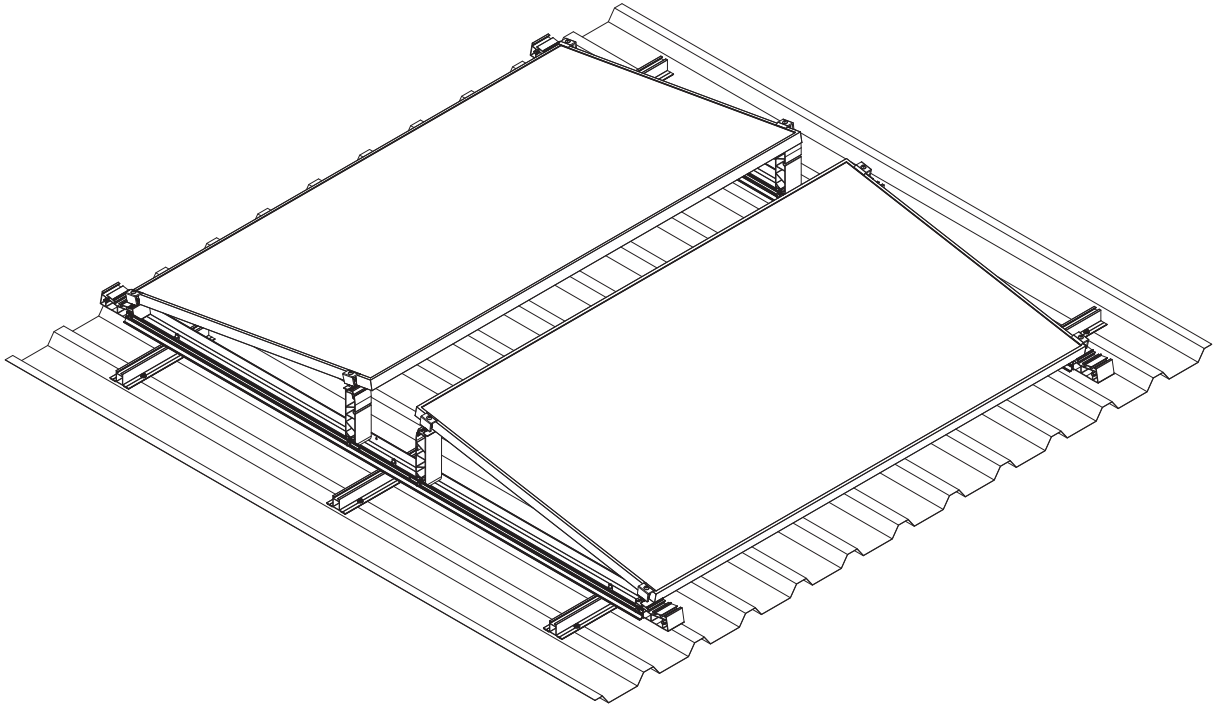
Install an end connection or connect to the next rail according to your layout



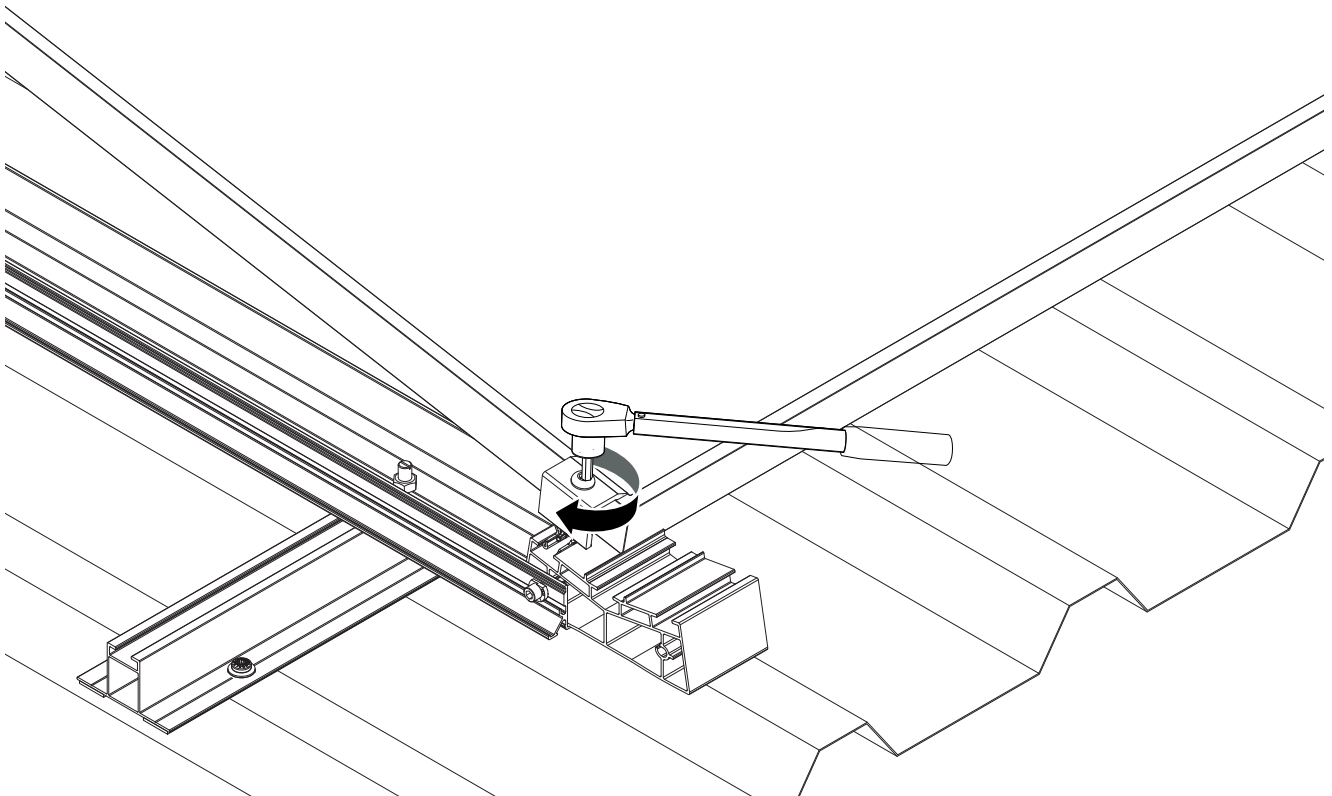
6.



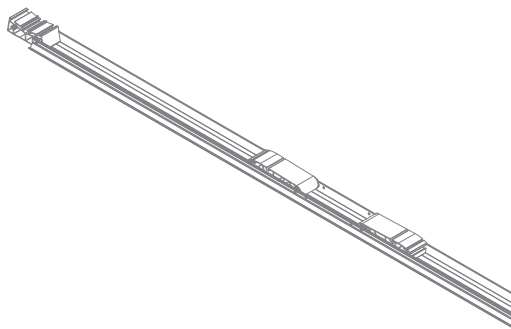
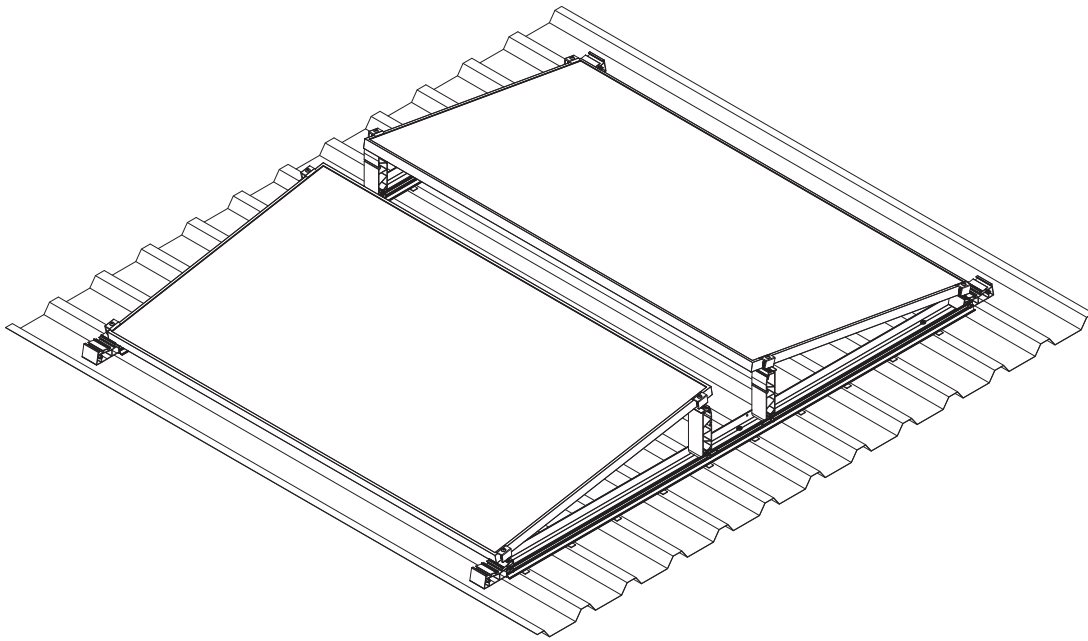
7.



10 Nm



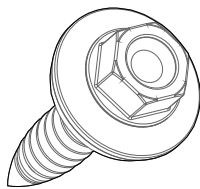
## Renusol FS Pro 10-EW-T - crossing the high rib



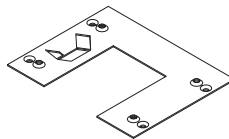
R520243  
FS Pro 10-EW Base rail 2300 (Set) IFP

R520245  
FS Pro 10-EW Base rail 2380 (Set) IFP

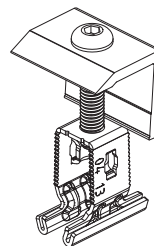
R400301  
Self drilling screw 5,5 x 25  
SW8 E16



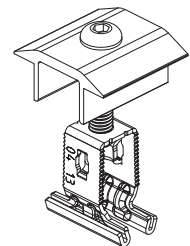
R900268 (optional)  
P-Clip Potential equalization



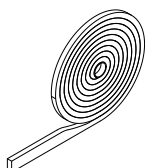
R420081 / R420081-B  
End clamp+  
End clamp+ (black)



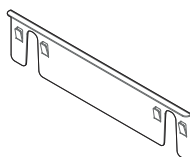
R420082 / R420082-B  
Middle clamp+  
Middle clamp+ (black)



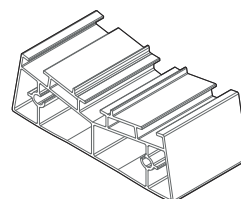
R300224  
EPDM Roll 5m for MS+  
Portrait



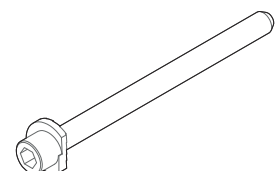
R500261  
FS Pro Potential equalisation  
clip EW



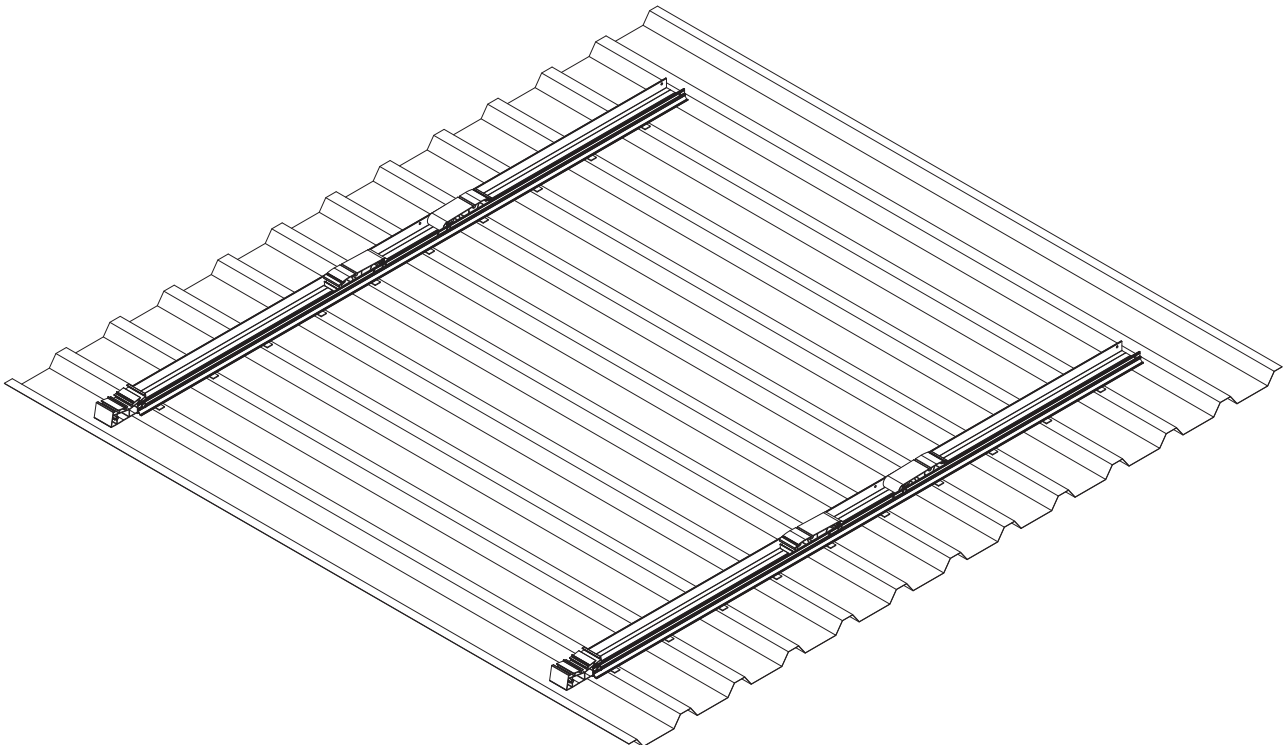
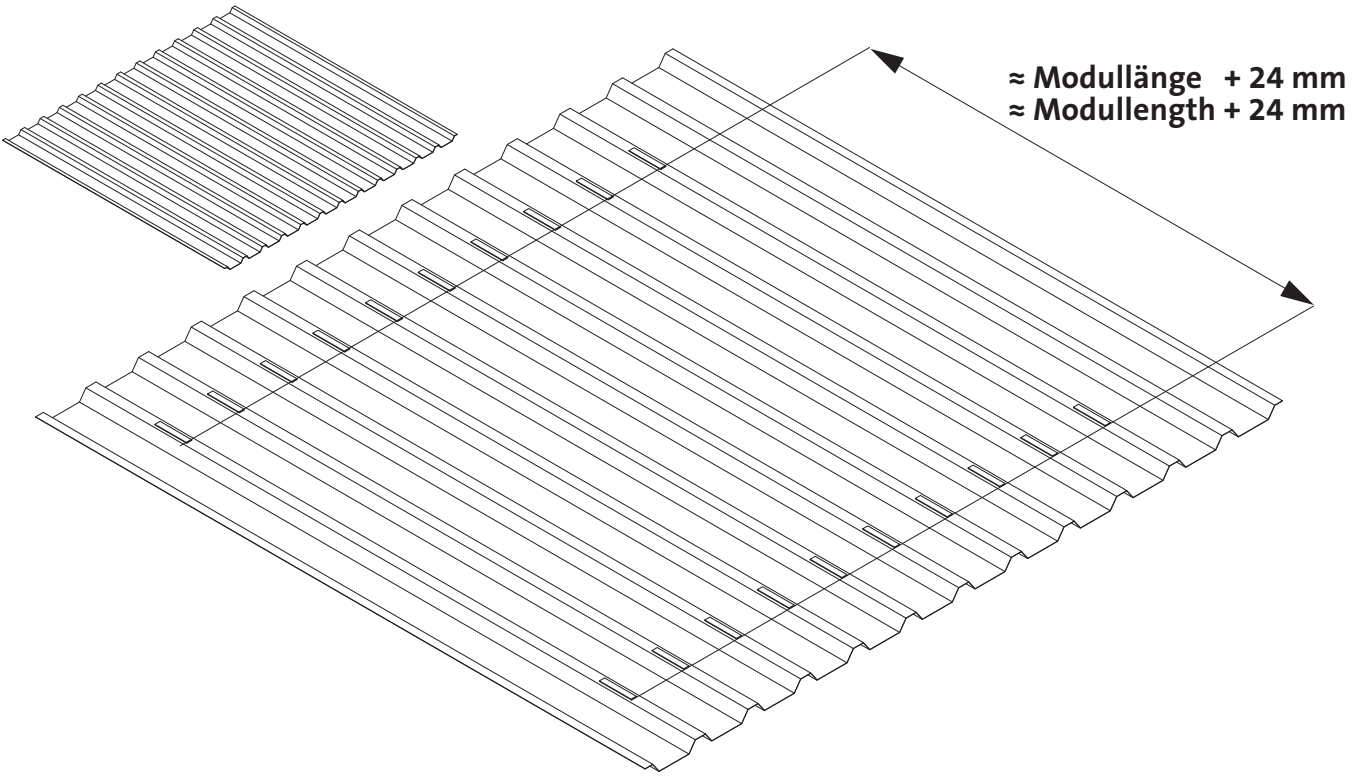
R500232  
FS Pro 10-EW Eave support



R500227  
FS Pro Securing bolt

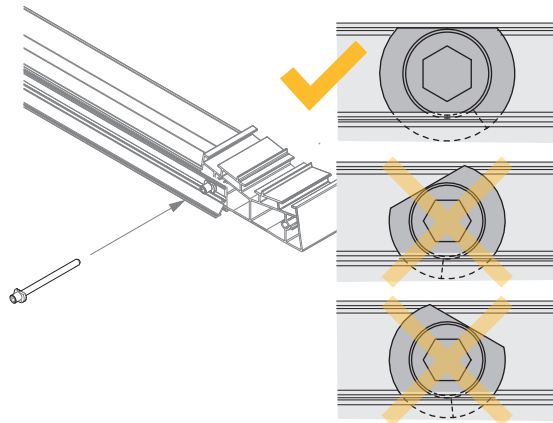
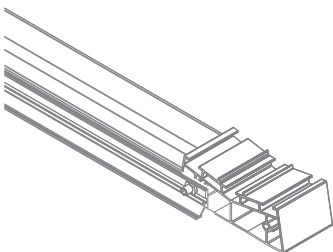
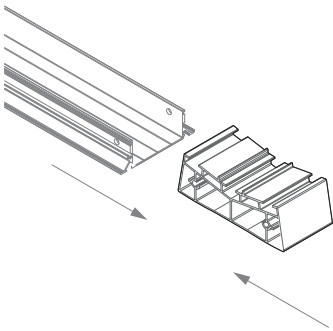
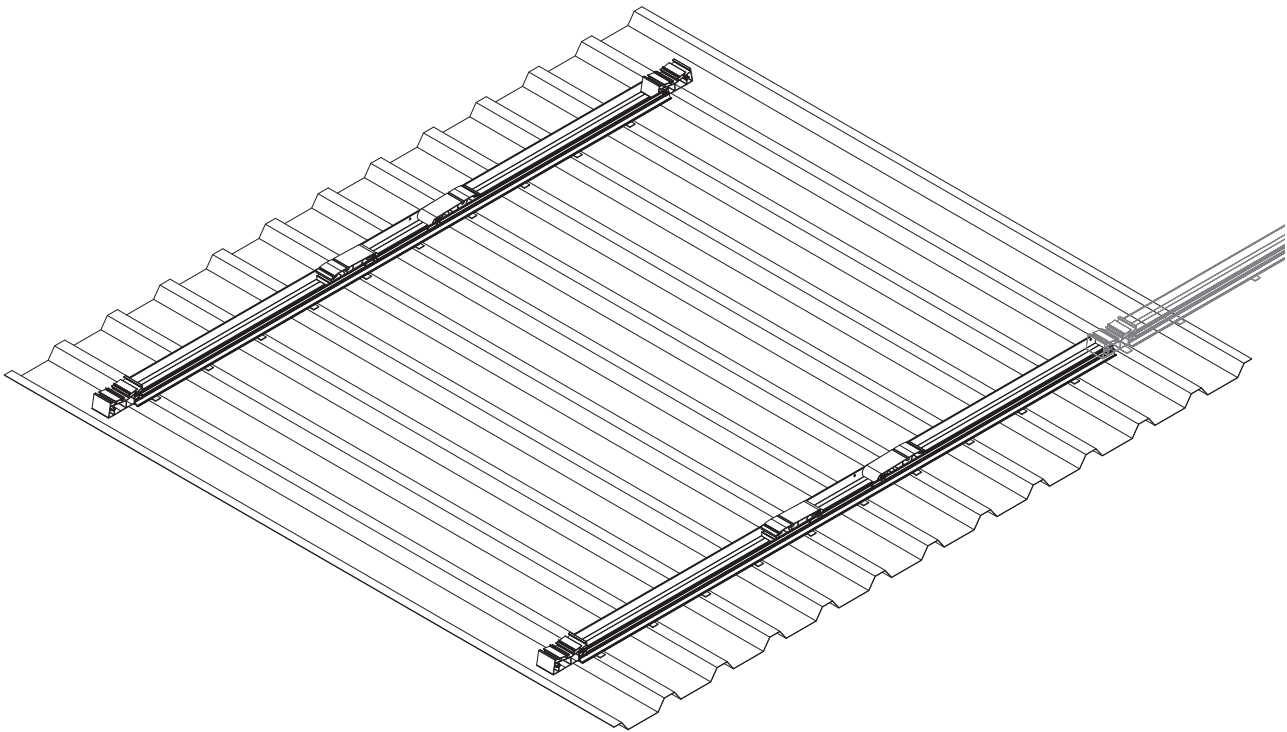


1.



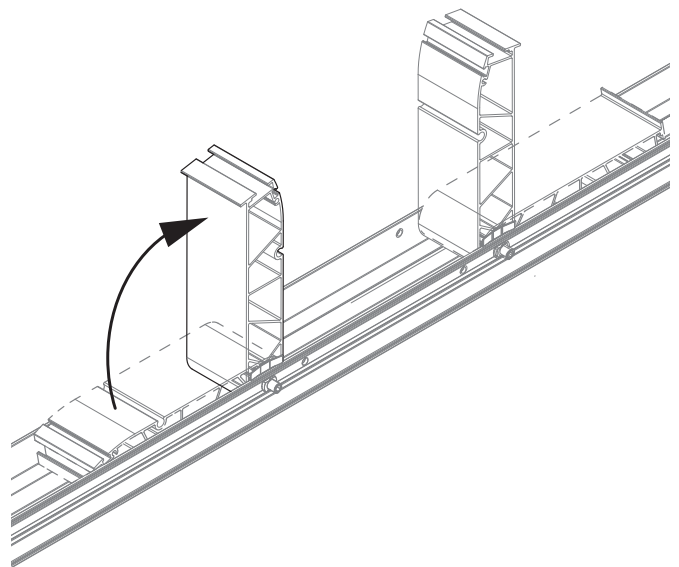
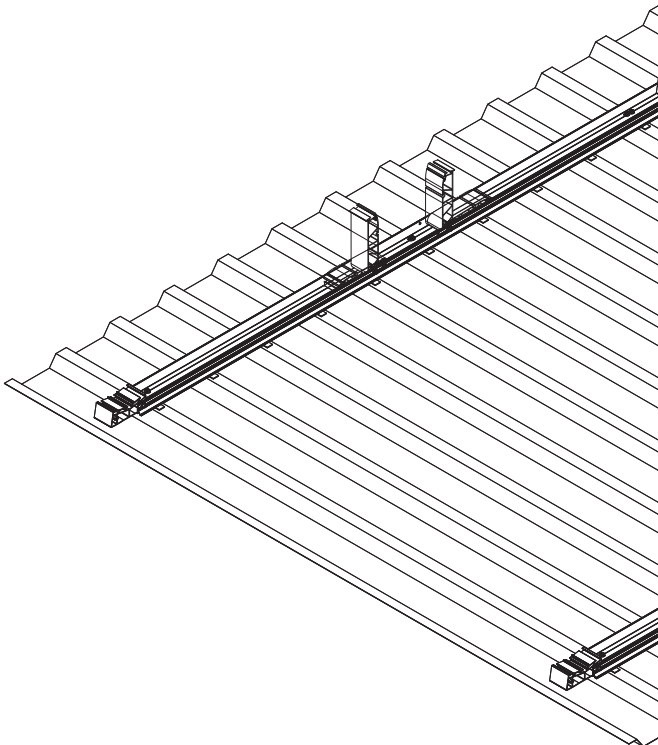
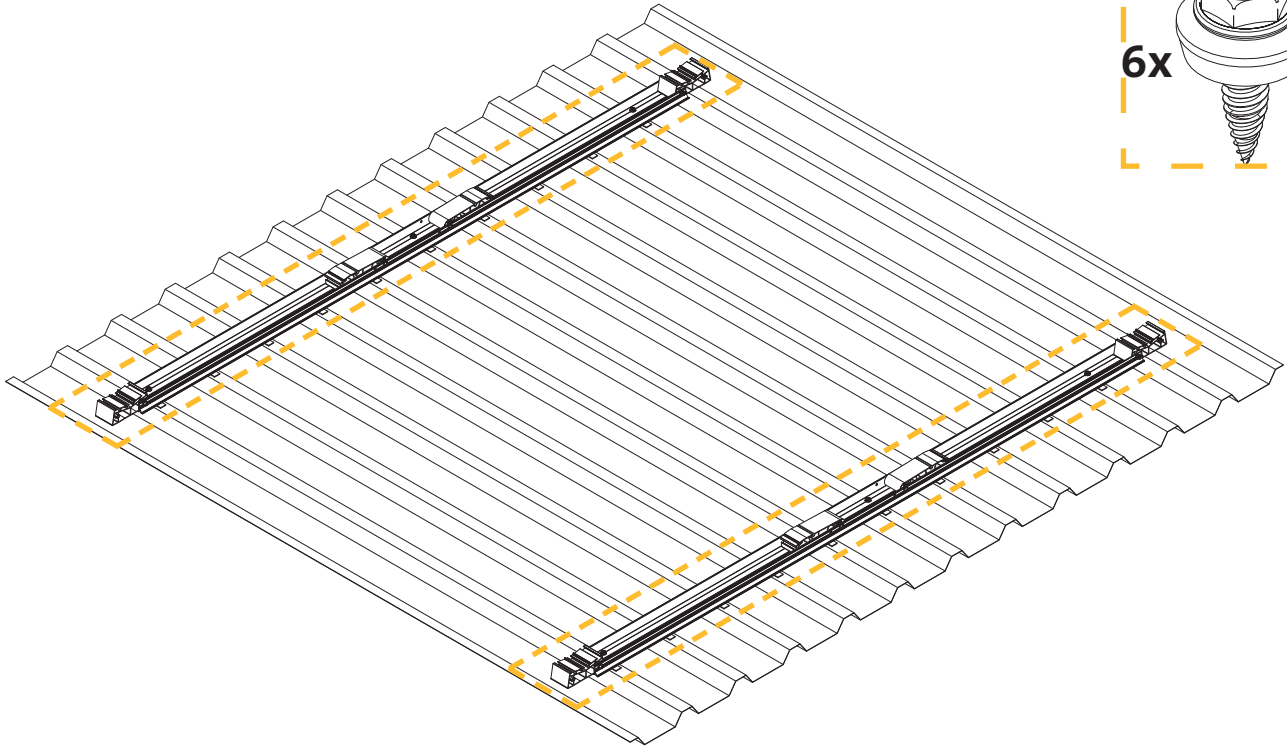
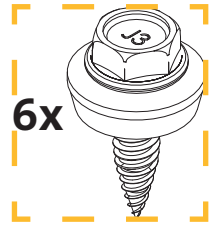
2.

Install an end connection or connect to the next rail according to your layout.

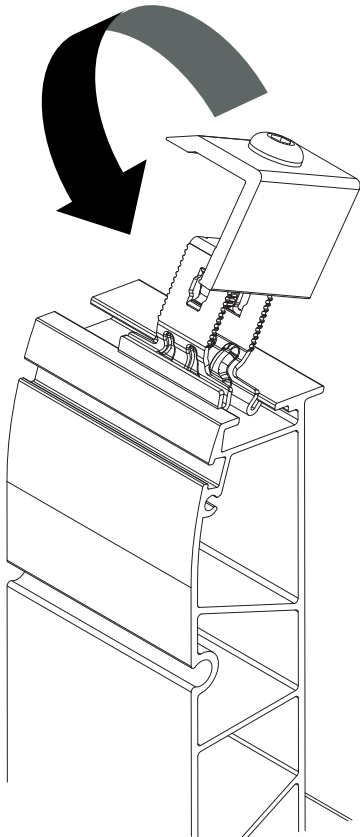
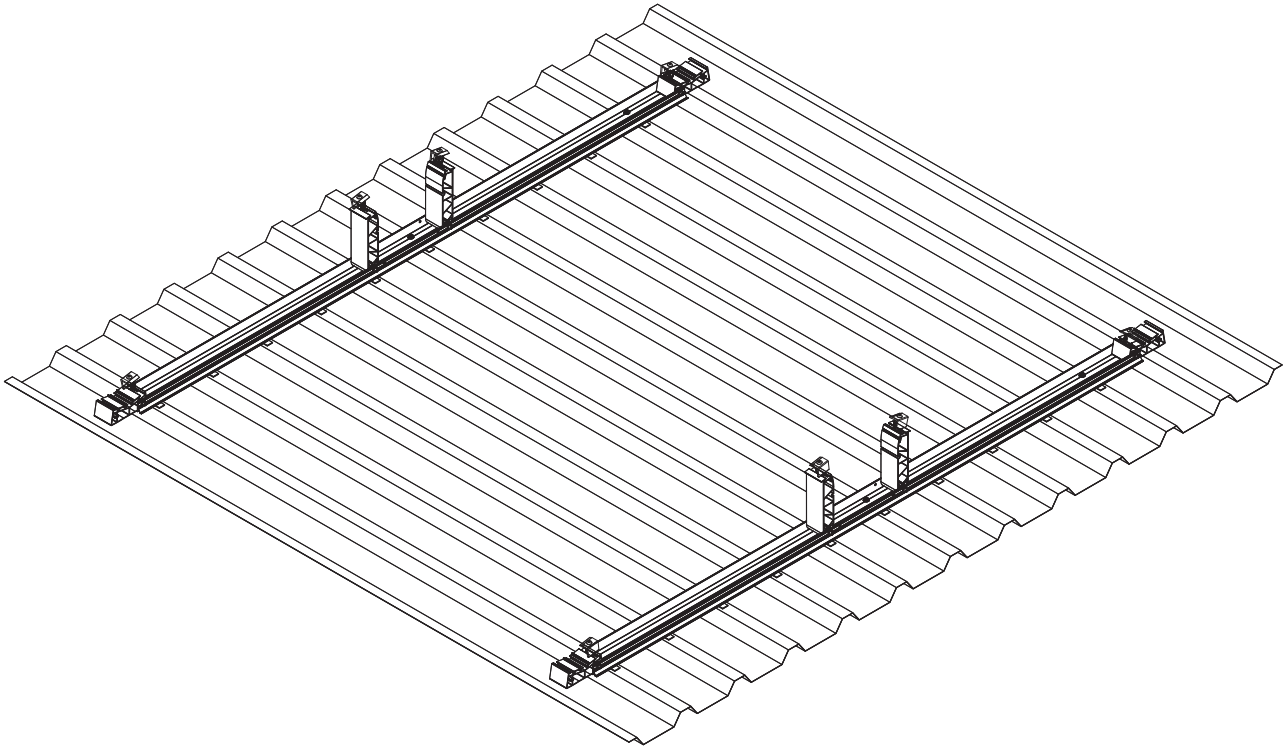


3.

Secure each rail with 6 screws.

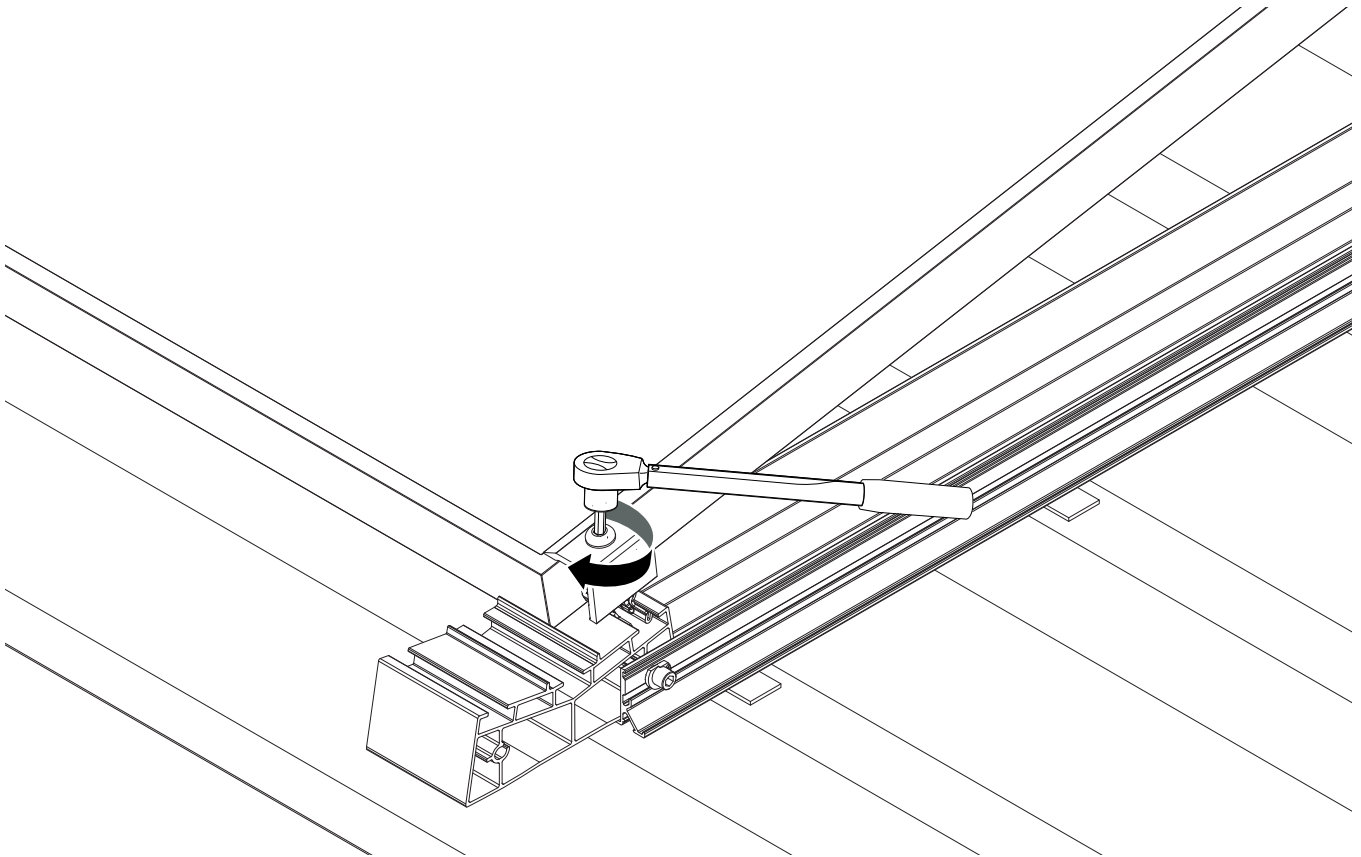
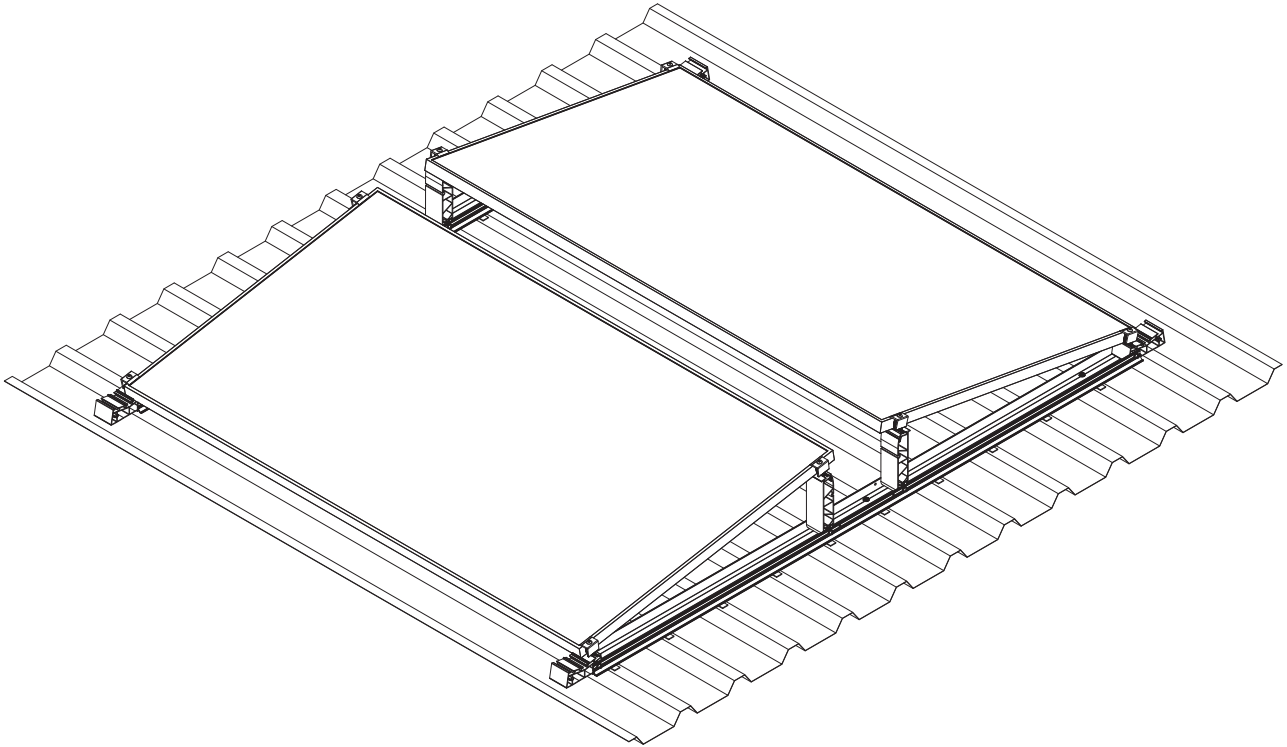


4.



5.

10 Nm 



## 6.

## MCS012 Certification - Product overview -

FS Pro 10-EW-T			
Product name	Product Model name	Maximum Design Wind Uplift Resistance (kPa for full system)	Partial (safety) factor(s)
FS Pro 10-EW-T		1.56	1.00

<b>Product name certificated</b>	
FS Pro 10-EW-T	
<b>Product Model name certificated</b>	
REN_FSPRO_06	
<b>System component</b>	<b>Part number</b>
End clamp+ (black)	R420081-BE
Middle clamp+ (black)	R420082-BE
End clamp+	R420081
Middle clamp+	R420082
RS1	R420080
RS1 (black)	R420080-BE
RS Pro (black)	R420025-B
RS Pro	R420025
End clamp+ 50mm (black)	R420028-BE
Middle clamp+ 50mm (black)	R420029-BE
End clamp+ 50mm	R420028
Middle clamp+ 50mm	R420029
FS Pro Mid clamp EW	R520282
FS Pro End clamp LS	R520283
FS Pro 10-EW Base rail 2300 (Set) IFP	R520243
FS Pro 10-EW Base rail 2380 (Set) IFP	R520245
FS Pro Ridge support	R500230
FS Pro Securing clip ridge support	R500228
FS Pro Eave support 10-EW	R500232
FS Pro Securing bolt	R500227
FS Pro adapter LS	R500235
FS Pro Potential equalisation clip EW	R500261
FS Pro Cable tray 450	R500262
FS Pro Side deflector 10 (Set)	R520265
Self drilling screw 5,5x25 SW 8 E16	R400301
EPDM Roll 5m for MS+ Portrait	R300224

[www.pv-configurator.com](http://www.pv-configurator.com)

- DE | Abbildungen und Texte entsprechen dem aktuellen technischen Stand bei Drucklegung, Änderungen vorbehalten.
- GB | The images and texts in these instructions relate to the latest technology at the time of printing, subject to modifications.
- FR | Les illustrations et textes sont conformes à l'état de la technique au moment de mise sous presse. Sous toutes réserves de modifications.
- IT | Figure e testi corrispondono allo stato più attuale della tecnica al momento dell'ordine di stampa. Con riserva di modifiche.
- ES | Las imágenes y los textos se corresponden al estado actual de la técnica en el momento de la impresión, reservado el derecho a las modificaciones.
- NL | Afbeeldingen en teksten voldoen aan de actuele stand van de techniek op het moment van ter perse gaan. Wijzigingen voorbehouden.
- DK | Afbildninger og tekster overholder den tekniske stand ved trykningen, der tages forbehold for ændringer.
- SE | Bilder och texter motsvarar den nuvarande tekniska tillstånd vid tidpunkten för tryckning, med förbehåll för ändringar.
- CZ | Vyobrazení a texty odpovídají aktuálnímu technickému stavu při odevzdání do tisku. Změny vyhrazeny.
- PL | Ilustracje i teksty odpowiadają stanowi techniki aktualnemu w chwili oddania instrukcji do druku. Zastrzega się prawo do zmian.
- LT | Spausdinami paveikslėliai ir tekstas atitinka naujausią technikos lygį. Pasilieka me teisę į pakeitimus.
- HU | Az ábrák és a szövegek a nyomtatás időpontjában rendelkezésünkre álló legfrissebb műszaki ismereteknek felelnek meg; a módosítások jogát fenntartjuk.

**Renusol Europe GmbH**

Piccoloministr. 2

51063 Köln

Deutschland

Telefon: +49 221 788707-0

E-Mail: [info@renusol.com](mailto:info@renusol.com)

[www.renusol.com](http://www.renusol.com)