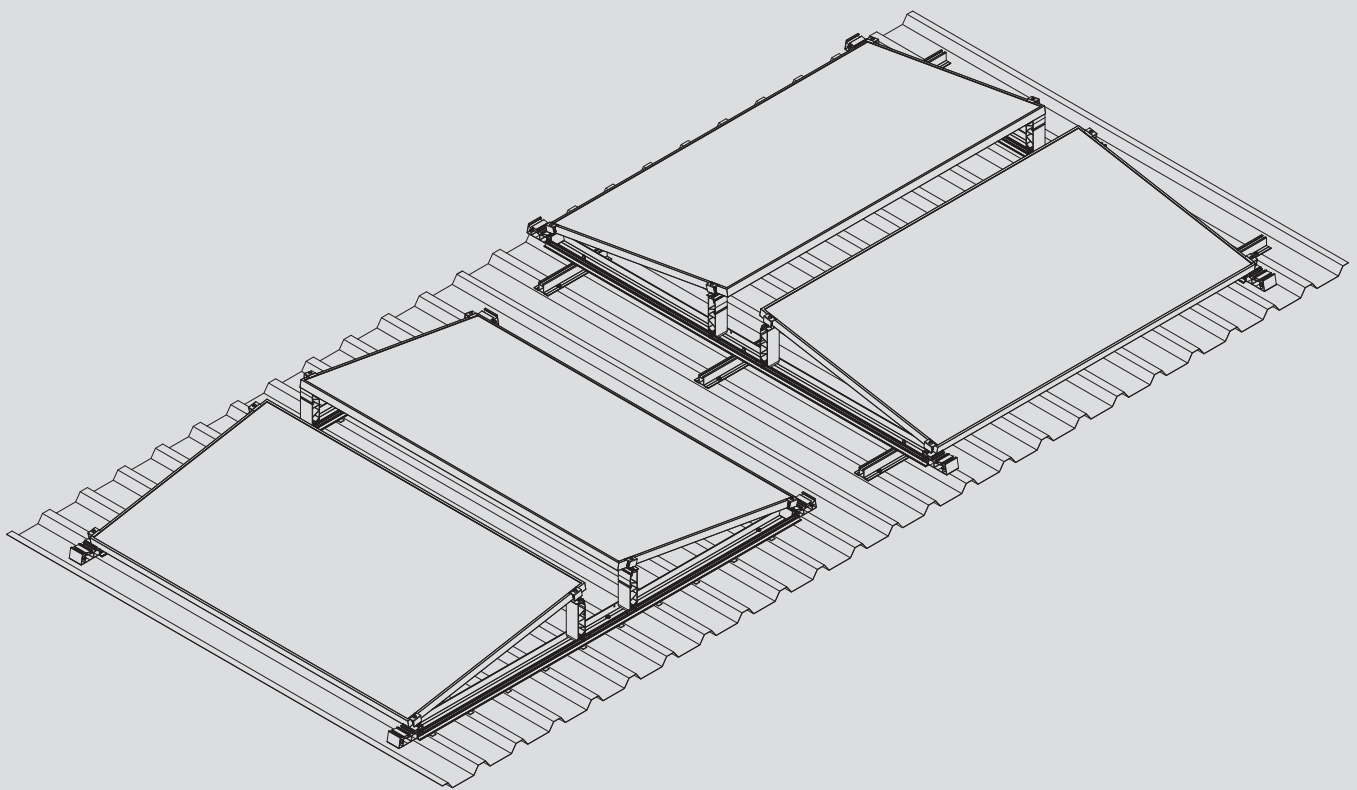
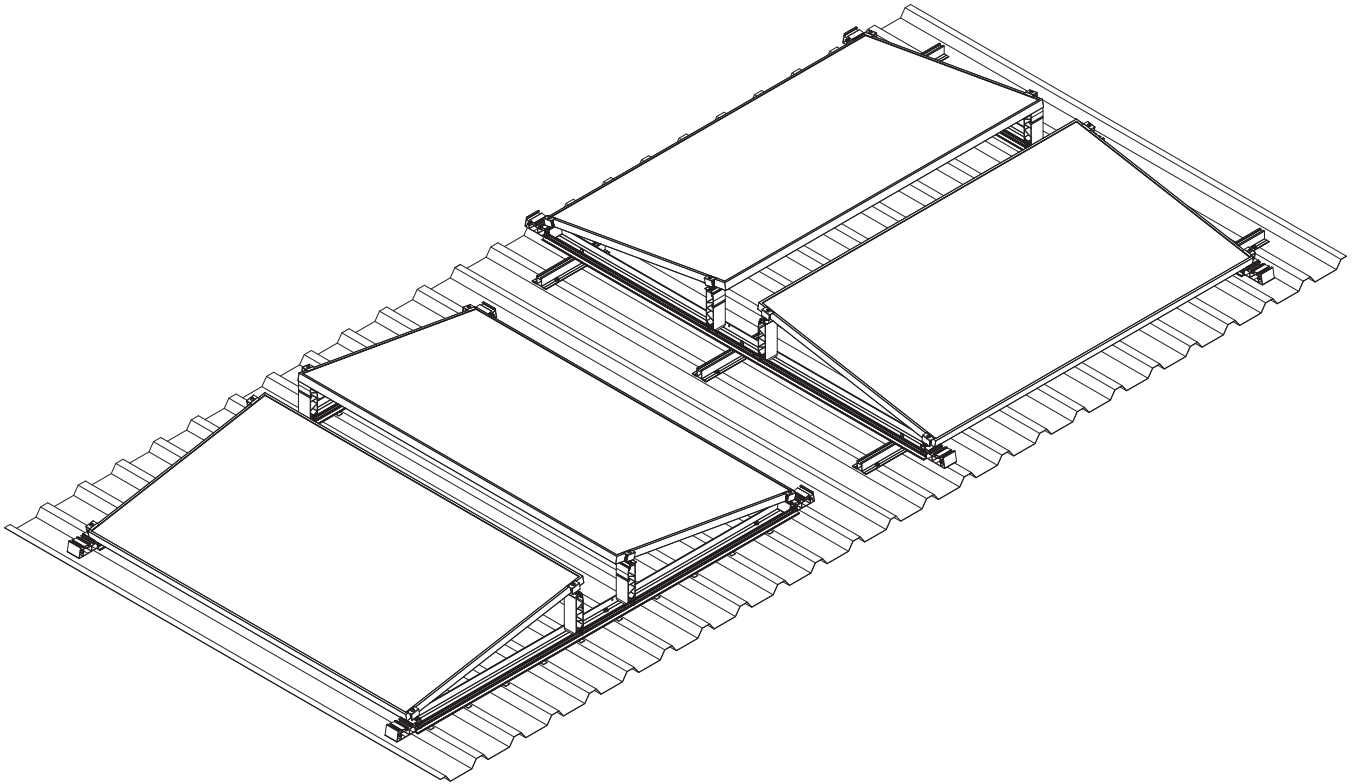


Renusol *FS* Pro 10-EW-T

EN | Installation Guide



Preface for mounting on trapezoidal/sandwich elements



EN | Usage

Mounting system for installing framed PV modules on trapezoidal roofs with a roof pitch of up to 10° using fastening in the upper shell.

Before Installation

The Renusol FS Pro is mechanically fixed to the roof covering to withstand wind loads. The dimensioning of the fastening depends on the height of the building, its location, the nature of the substructure, and the wind loads.

In the Renusol FS Pro 10-EW-T mounting system, the modules are fastened in the corner area of the short module side. It must be checked on-site whether the clamping area specified by the module manufacturer is maintained and whether the permissible module loads are not exceeded.

Drainage holes in the PV module frame must remain unobstructed and must not be covered by the mounting system. The roof surface must be free of snow, ice, and dirt before installation. When installing, consider the applicable regulations, state-of-the-art technology, and current occupational safety guidelines.

A prerequisite for proper use is always a suitable substructure that can absorb the occurring forces (weight load, wind, and snow load). The roof's water drainage and direction must be considered.

Wind Report

The suction and pressure coefficients have been determined through wind tunnel tests.

Applicable Documents

"General installation, maintenance, and assembly instructions,"
"Warranty conditions and disclaimer."

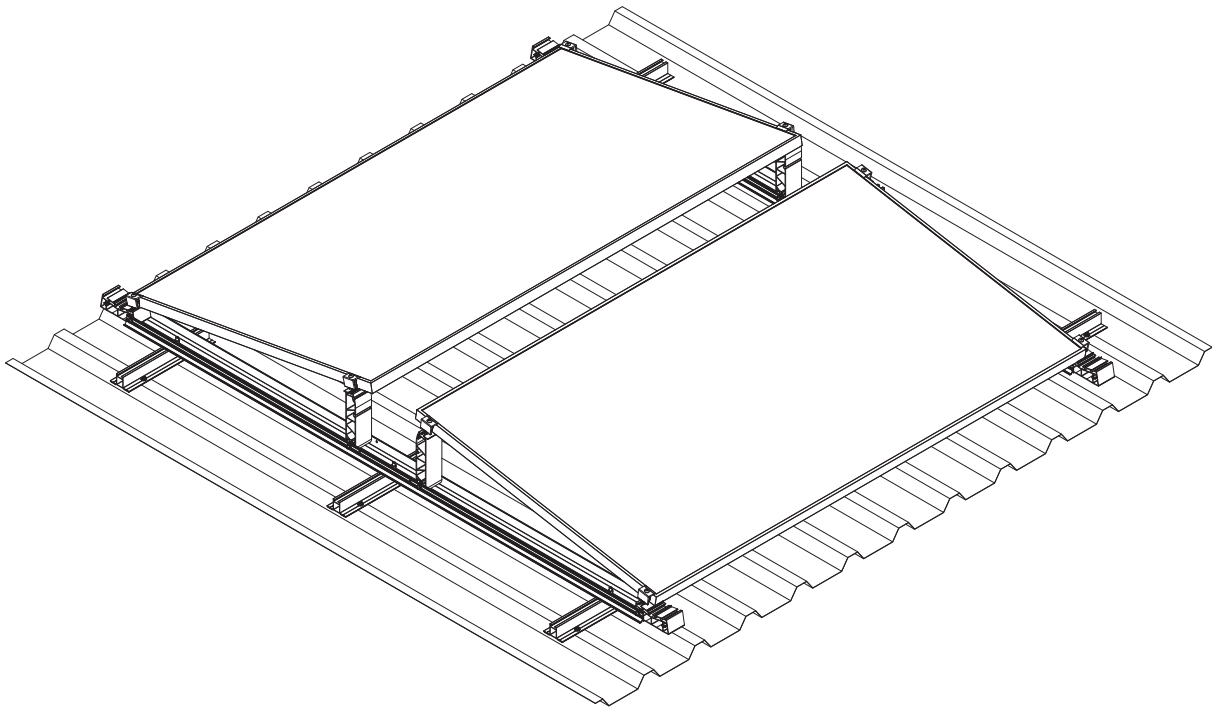
These documents are available at www.renusol.com.

Warranty and Guarantee

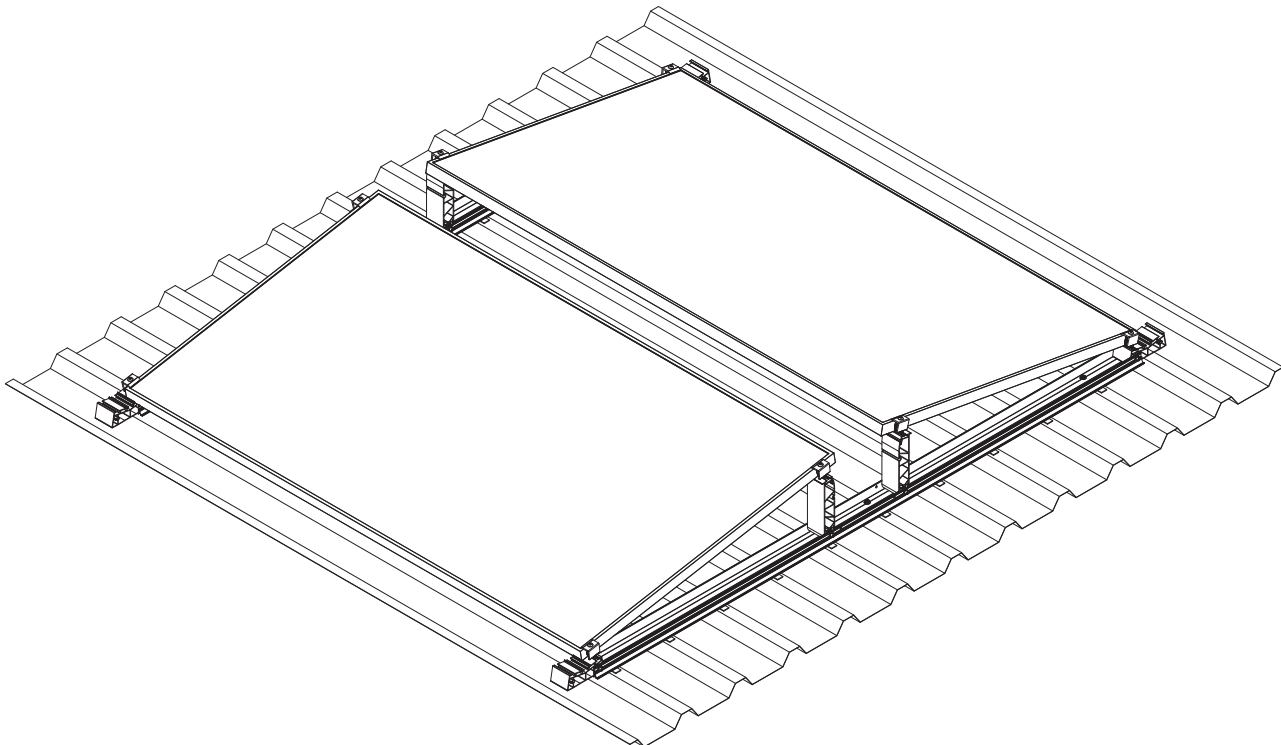
The Renusol warranty applies only when using the original Renusol FS Pro complete system in compliance with the warranty conditions. For statutory defect liability/warranty, please refer to Renusol's General Terms and Conditions.

www.renusol.com

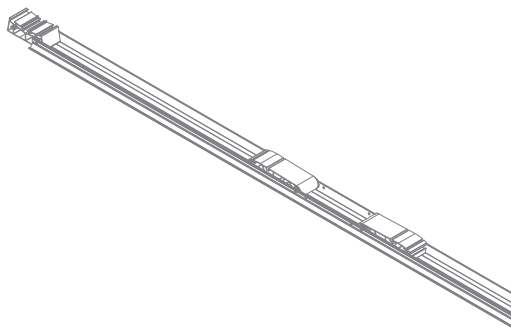
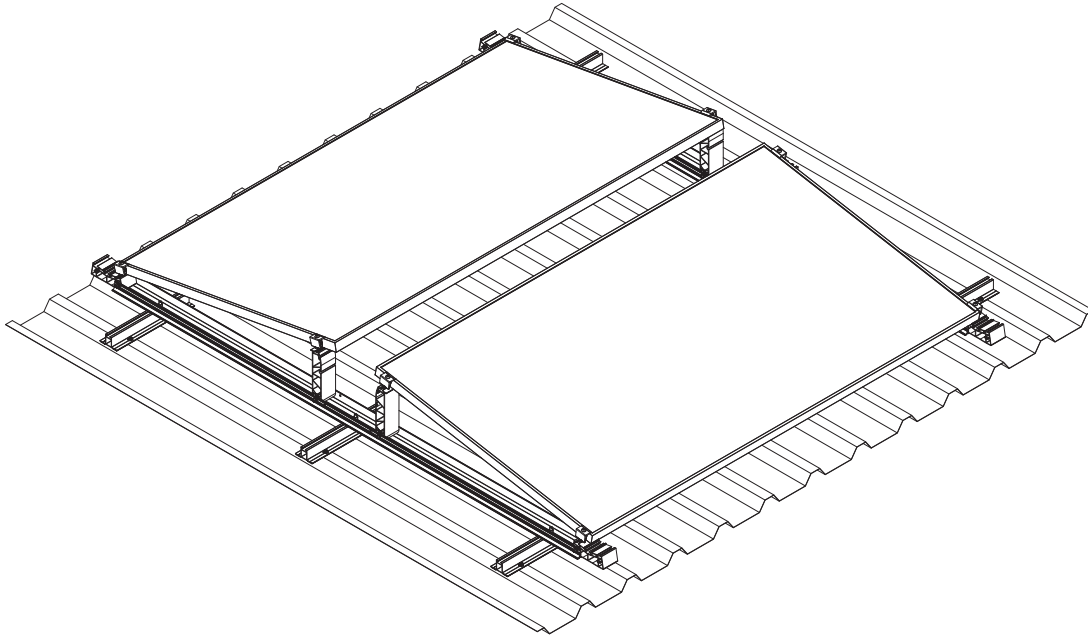
Renusol FS Pro 10-EW-T - parallel to the high rib



Renusol FS Pro 10-EW-T - crossing the high rib



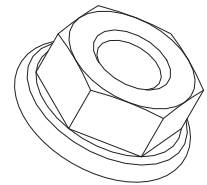
Renusol FS Pro 10-EW-T - parallel to the high rib



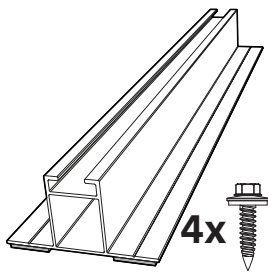
R520243
FS Pro 10-EW Base rail 2300 (Set) IFP

R520245
FS Pro 10-EW Base rail 2380 (Set) IFP

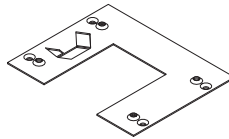
R900001
Hexagon Nut w. serration
M8



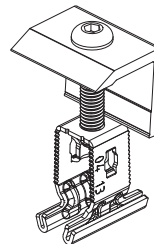
R420420 / R420421
MS+P (350 / 400 mm)



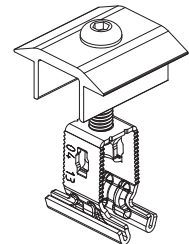
R900268 (optional)
P-Clip Potential equalization



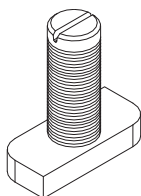
R420081 / R420081-B
End clamp+
End clamp+ (black)



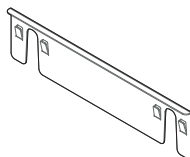
R420082 / R420082-B
Middle clamp+
Middle clamp+ (black)



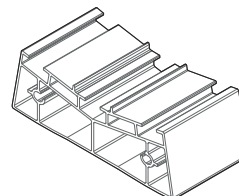
R900009
Hammerhead bolt M8 x 20



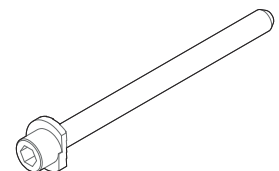
R500261
FS Pro Potential equalisation
clip EW



R500232
FS Pro 10-EW Eave support

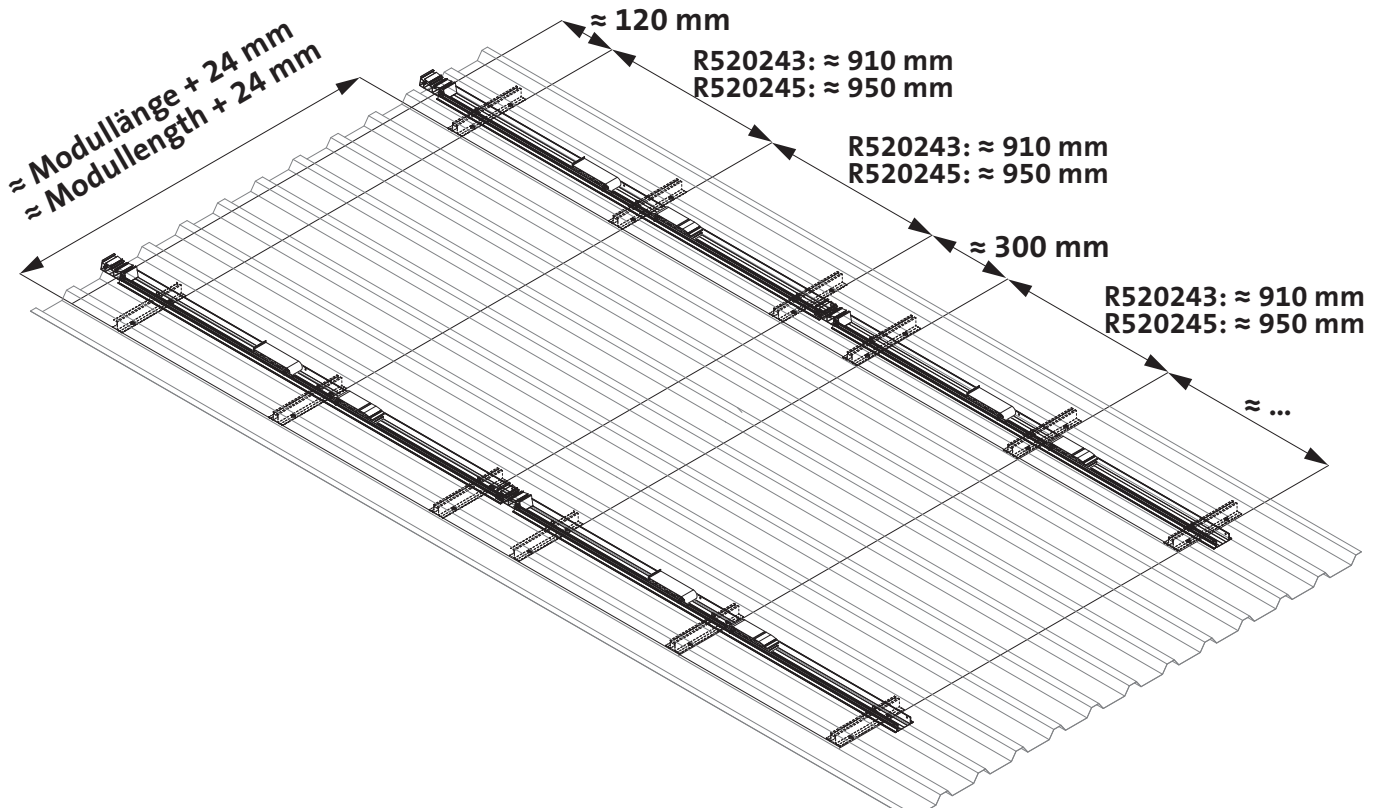
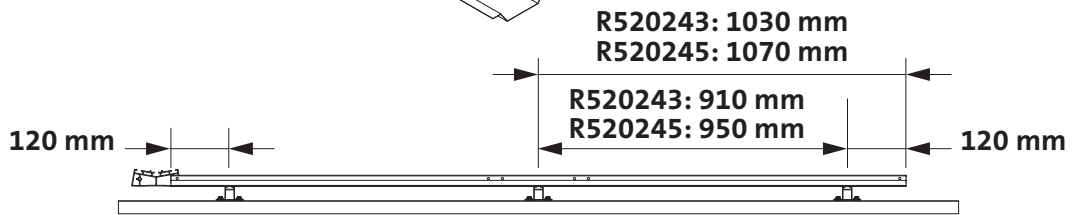
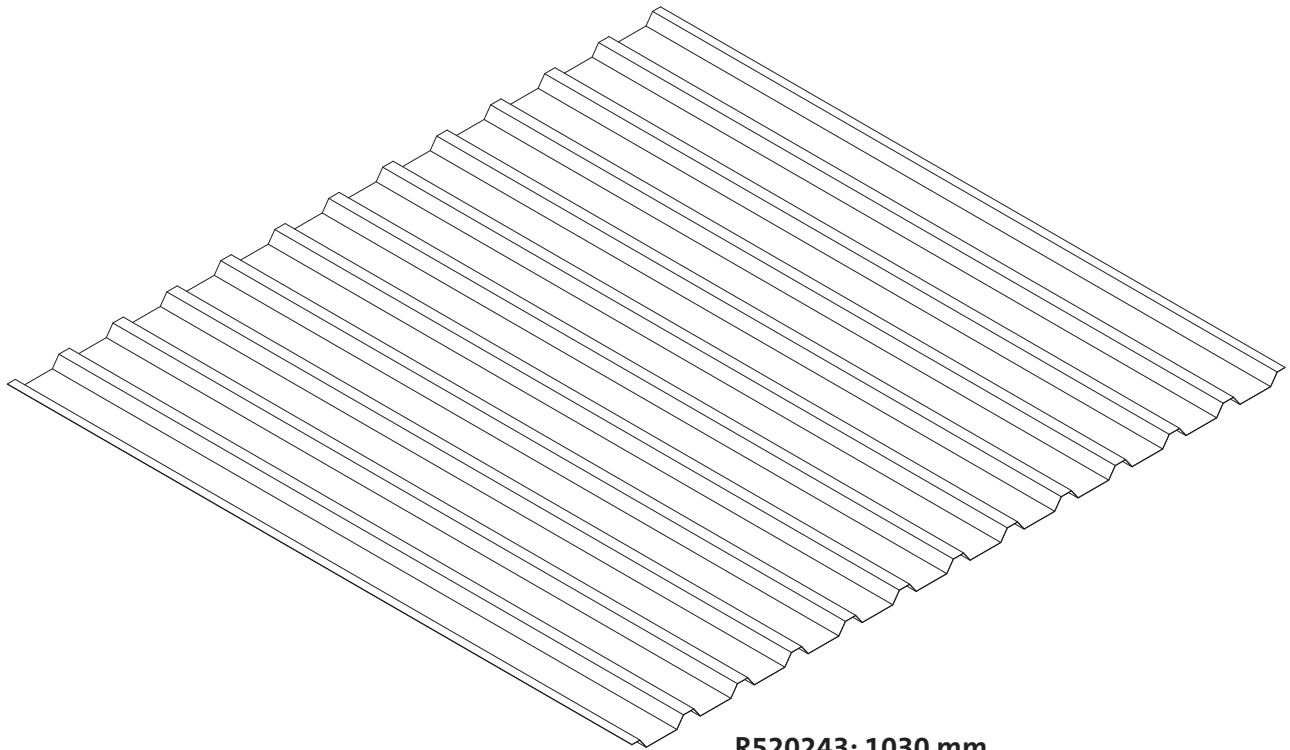


R500227
FS Pro Securing bolt

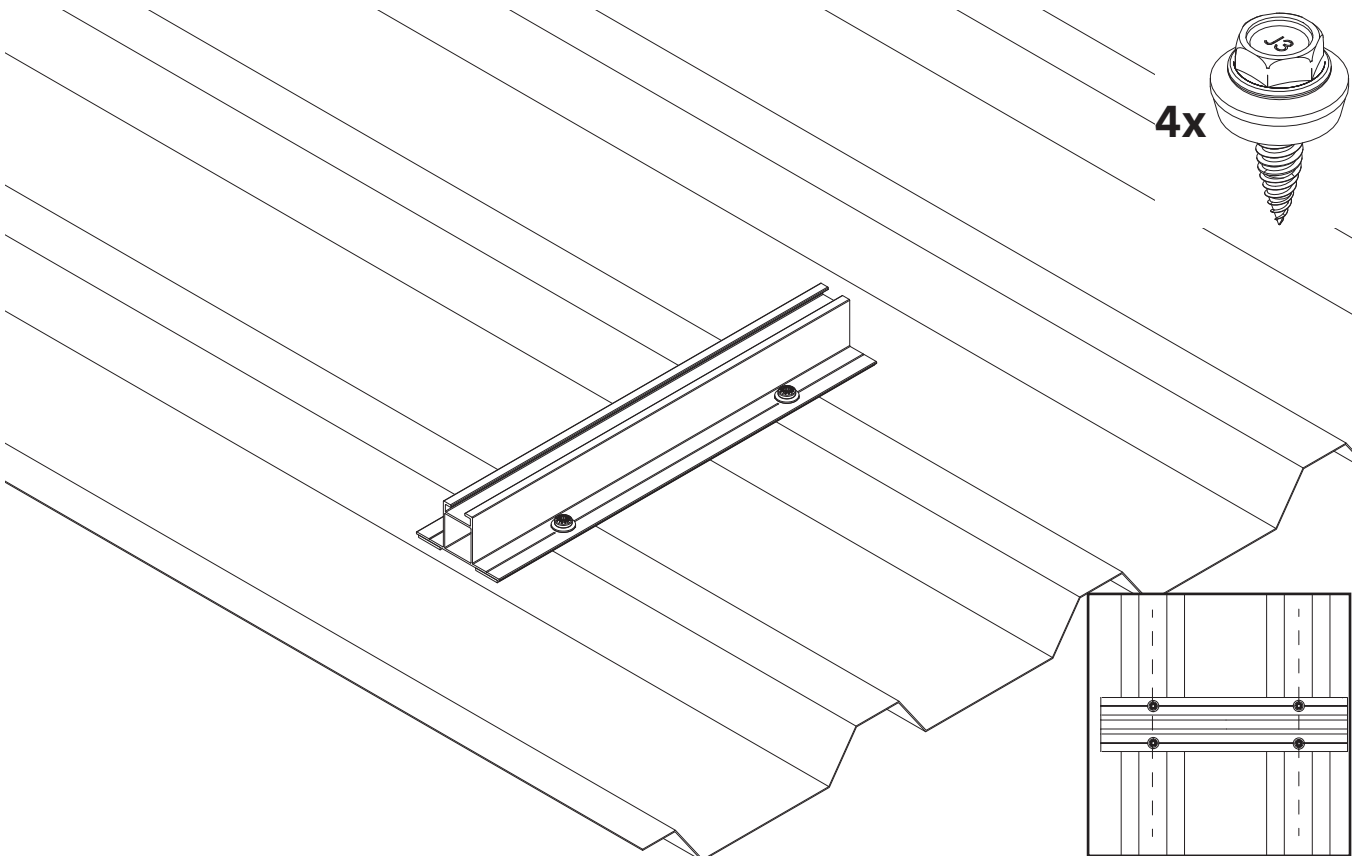
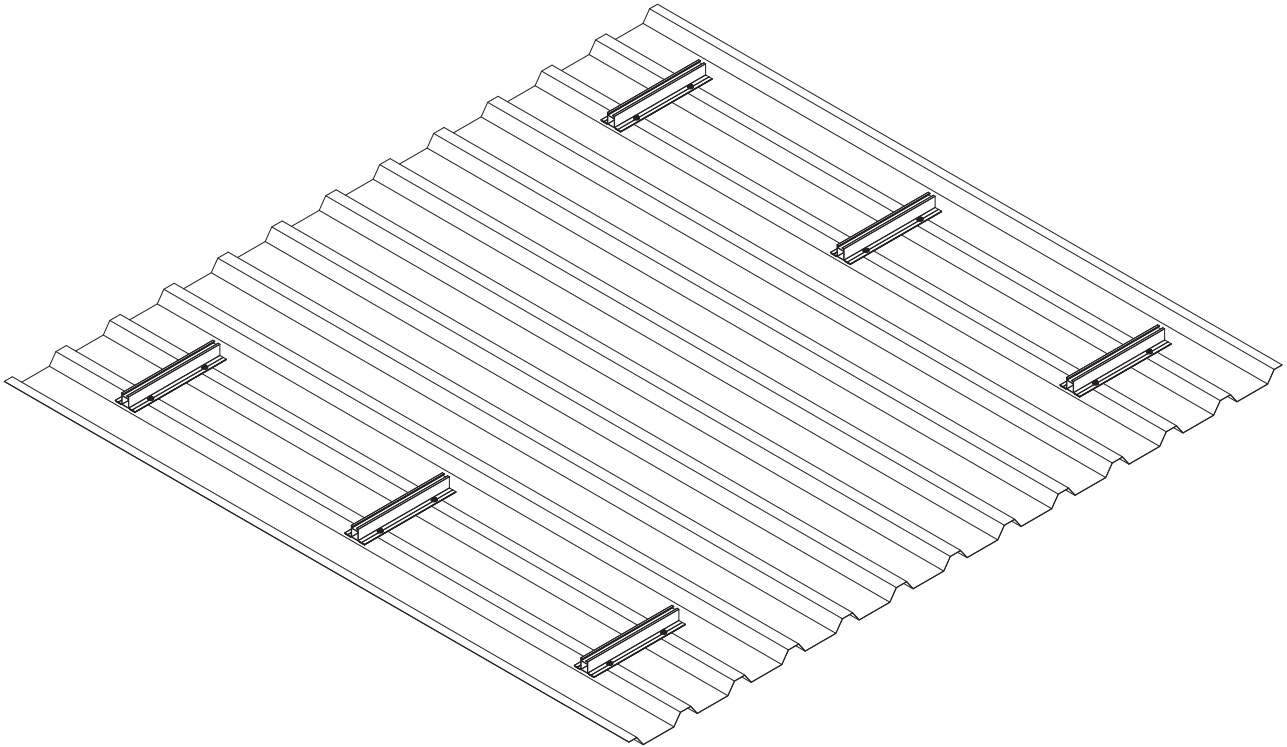


1.

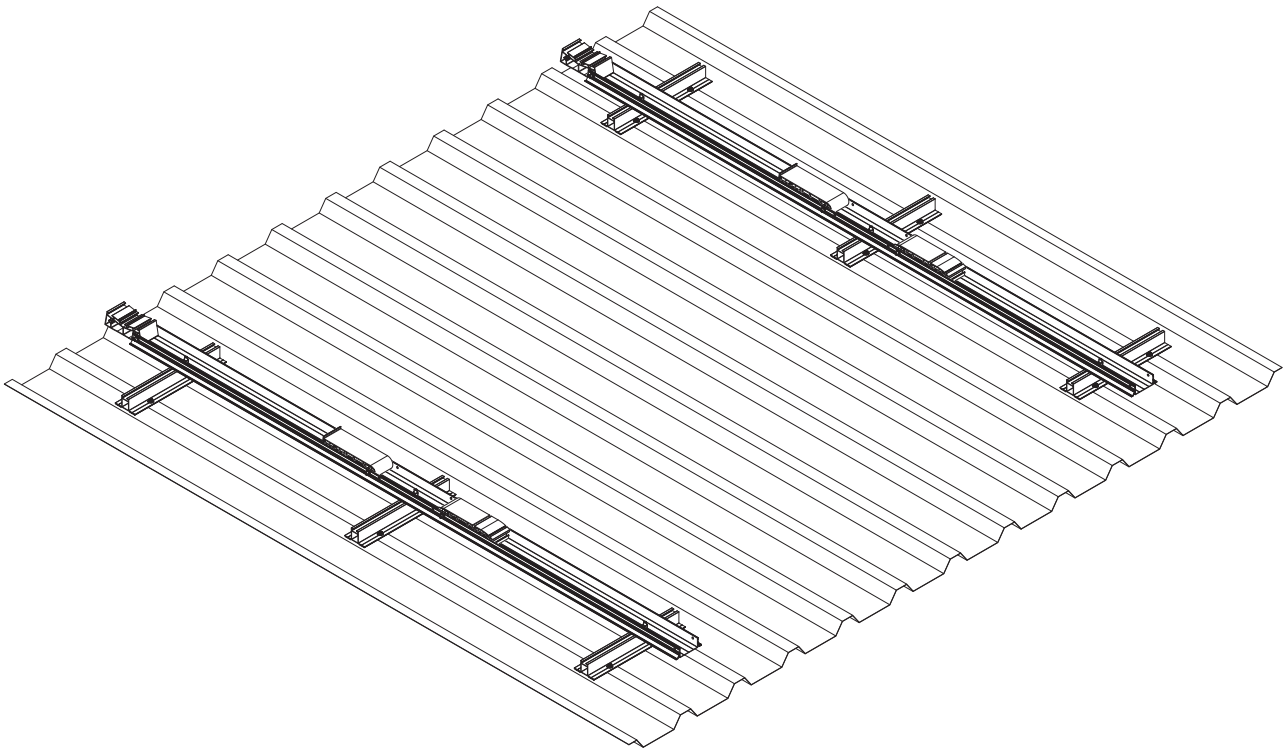
Measure your trapezoidal roof according to your module layout



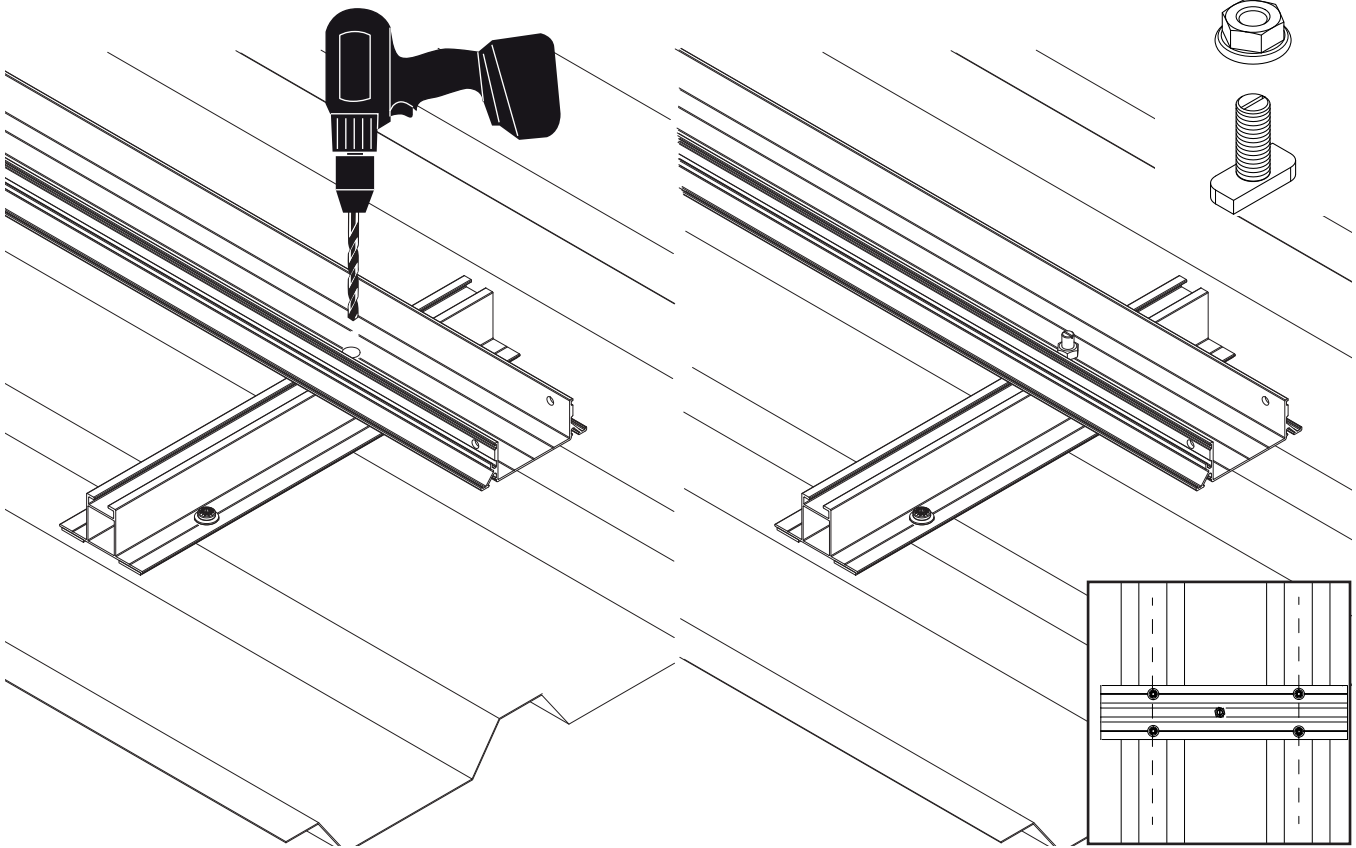
2.



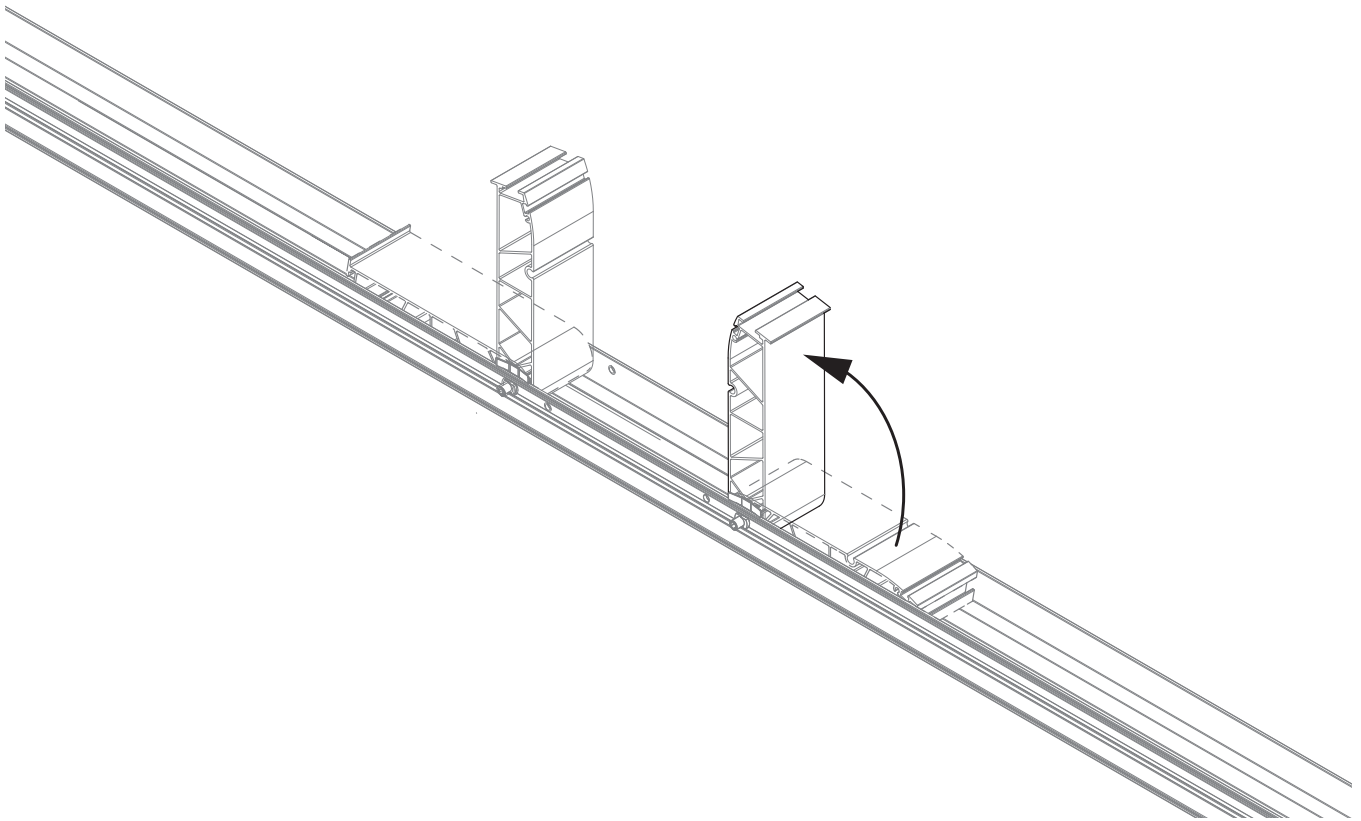
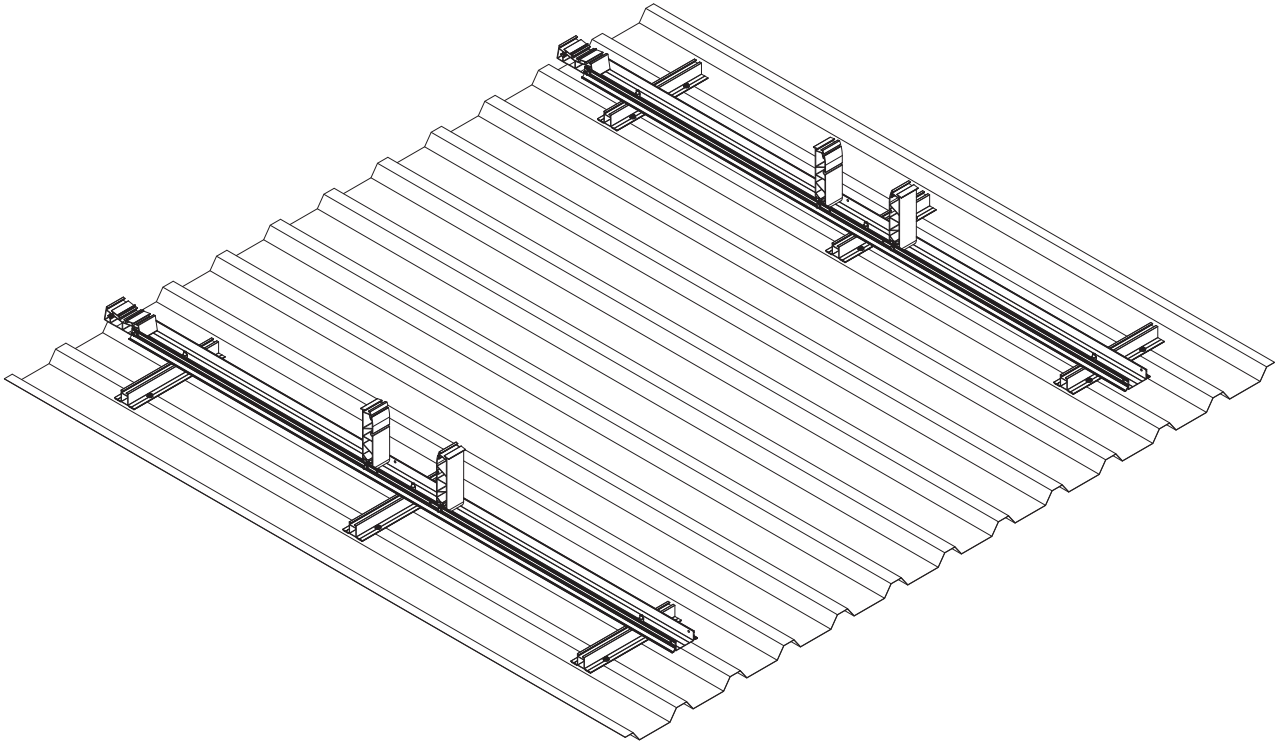
3.



Ø8,5 mm

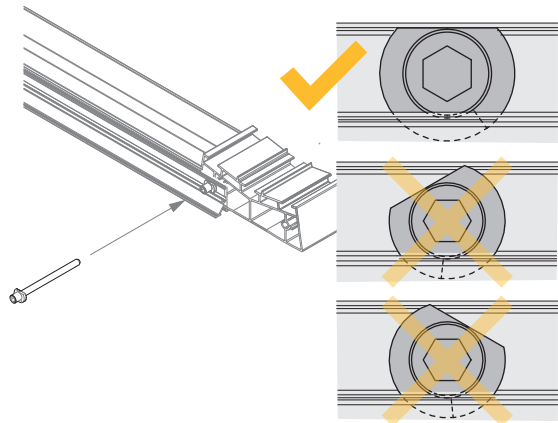
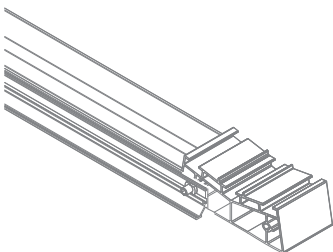
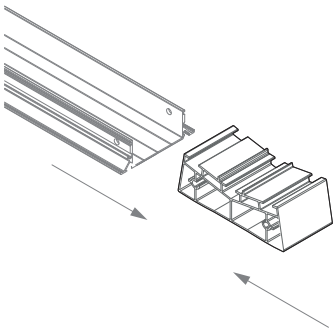
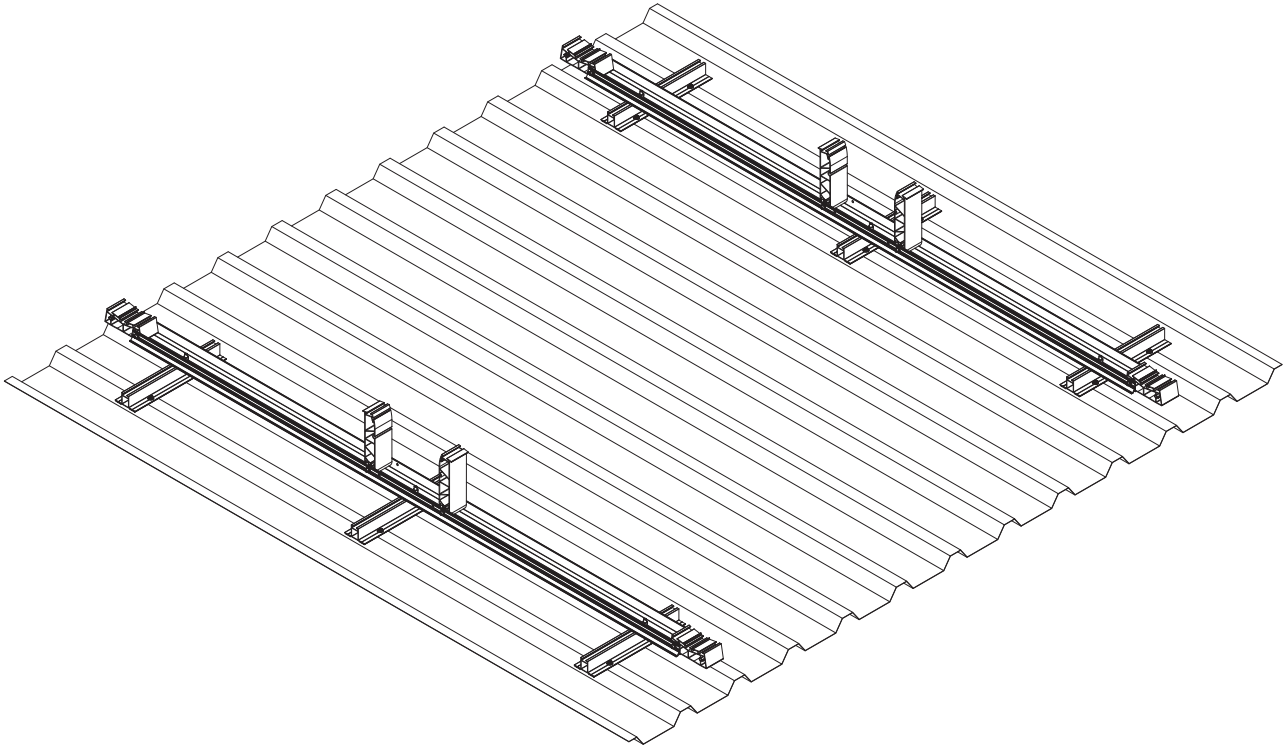


4.

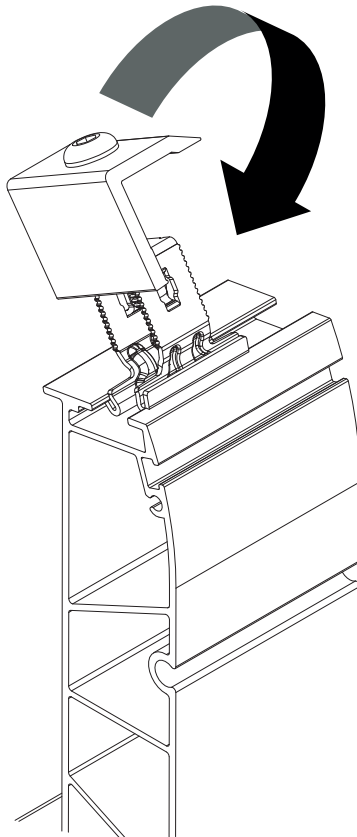
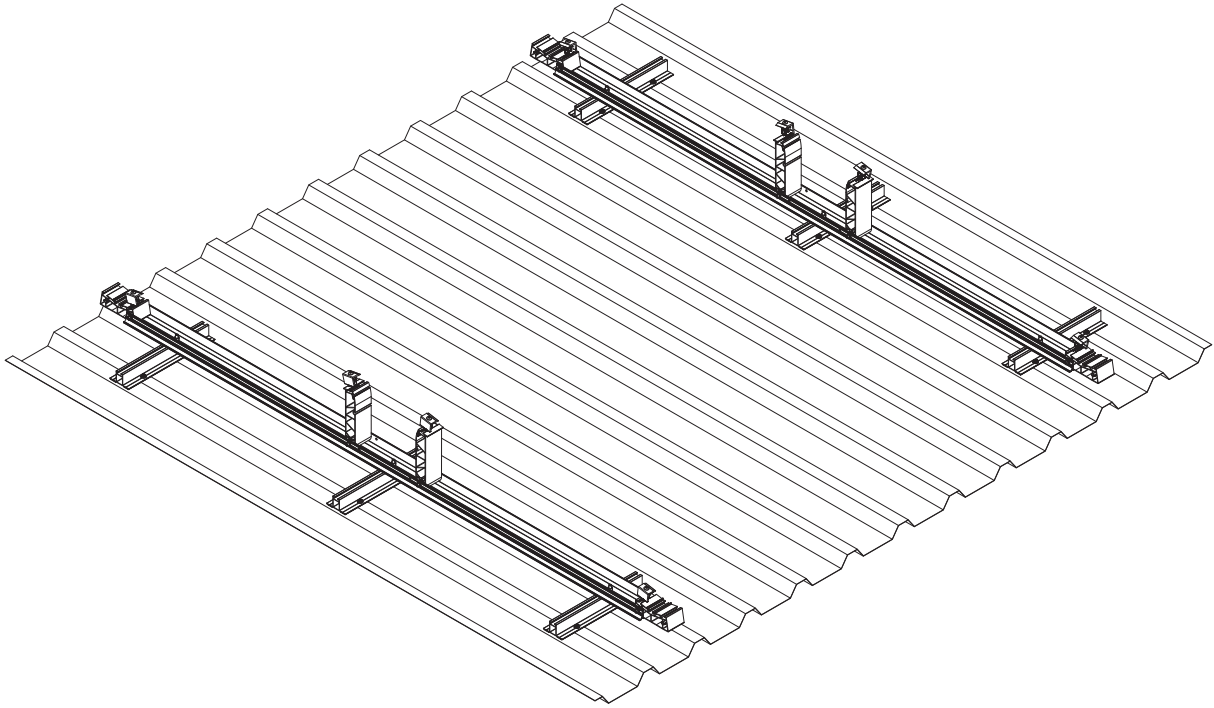


5.

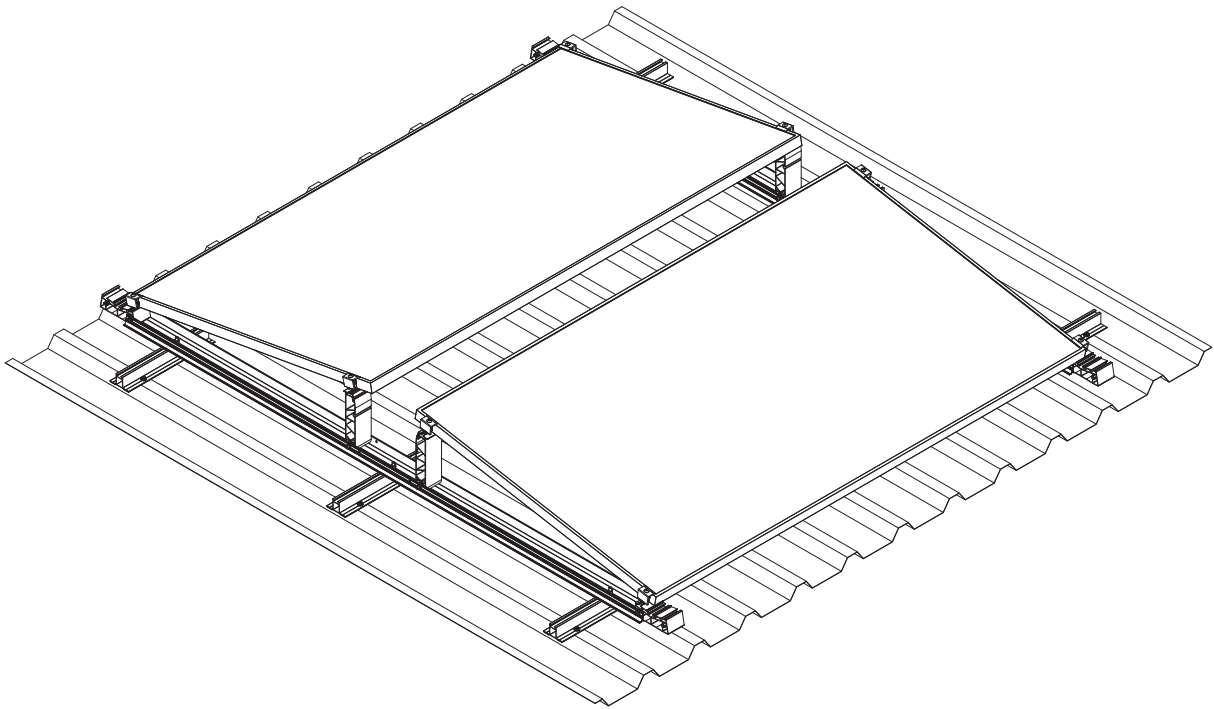
Install an end connection or connect to the next rail according to your layout



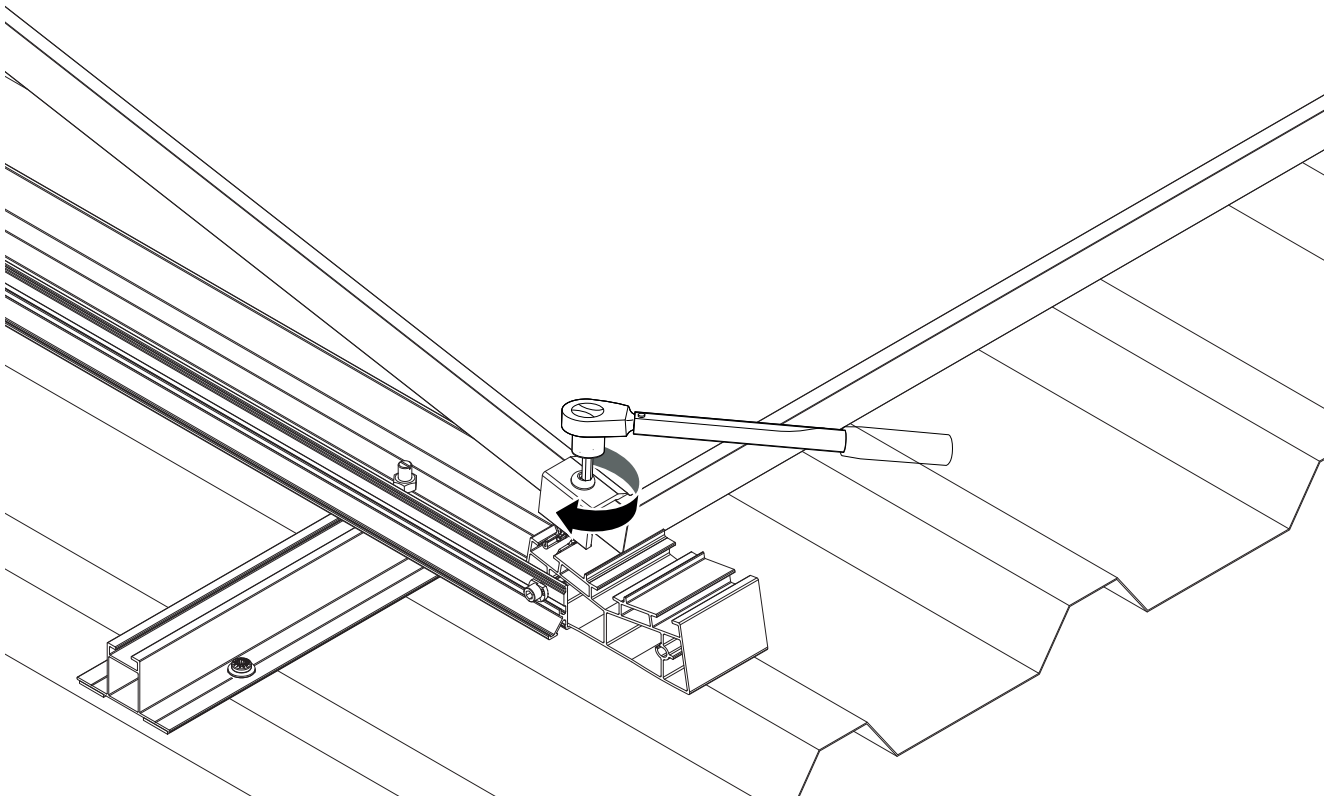
6.



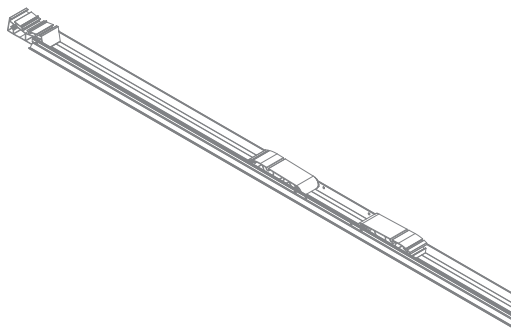
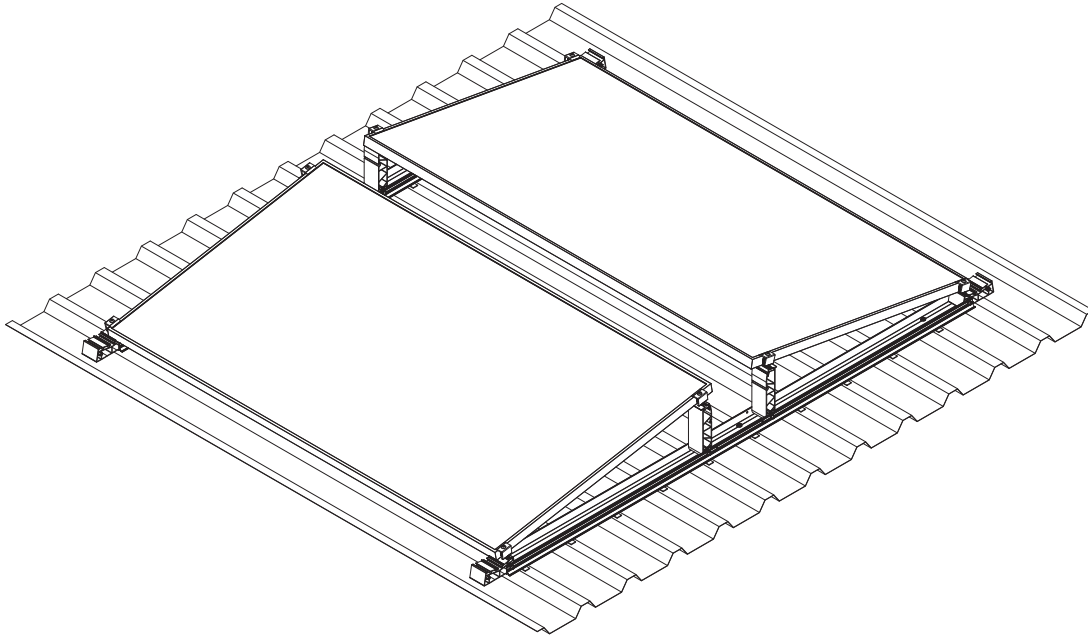
7.



10 Nm



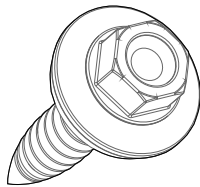
Renusol FS Pro 10-EW-T - crossing the high rib



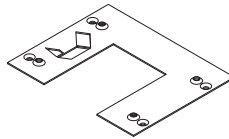
R520243
FS Pro 10-EW Base rail 2300 (Set) IFP

R520245
FS Pro 10-EW Base rail 2380 (Set) IFP

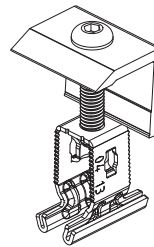
R400301
Self drilling screw 5,5 x 25
SW8 E16



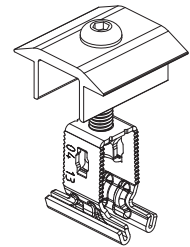
R900268 (optional)
P-Clip Potential equalization



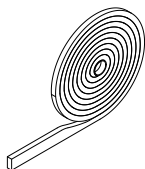
R420081 / R420081-B
End clamp+
End clamp+ (black)



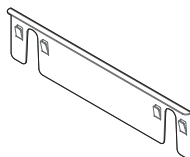
R420082 / R420082-B
Middle clamp+
Middle clamp+ (black)



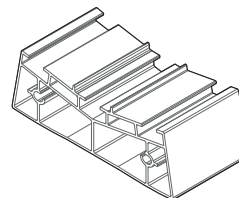
R300224
EPDM Roll 5m for MS+
Portrait



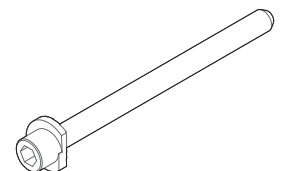
R500261
FS Pro Potential equalisation
clip EW



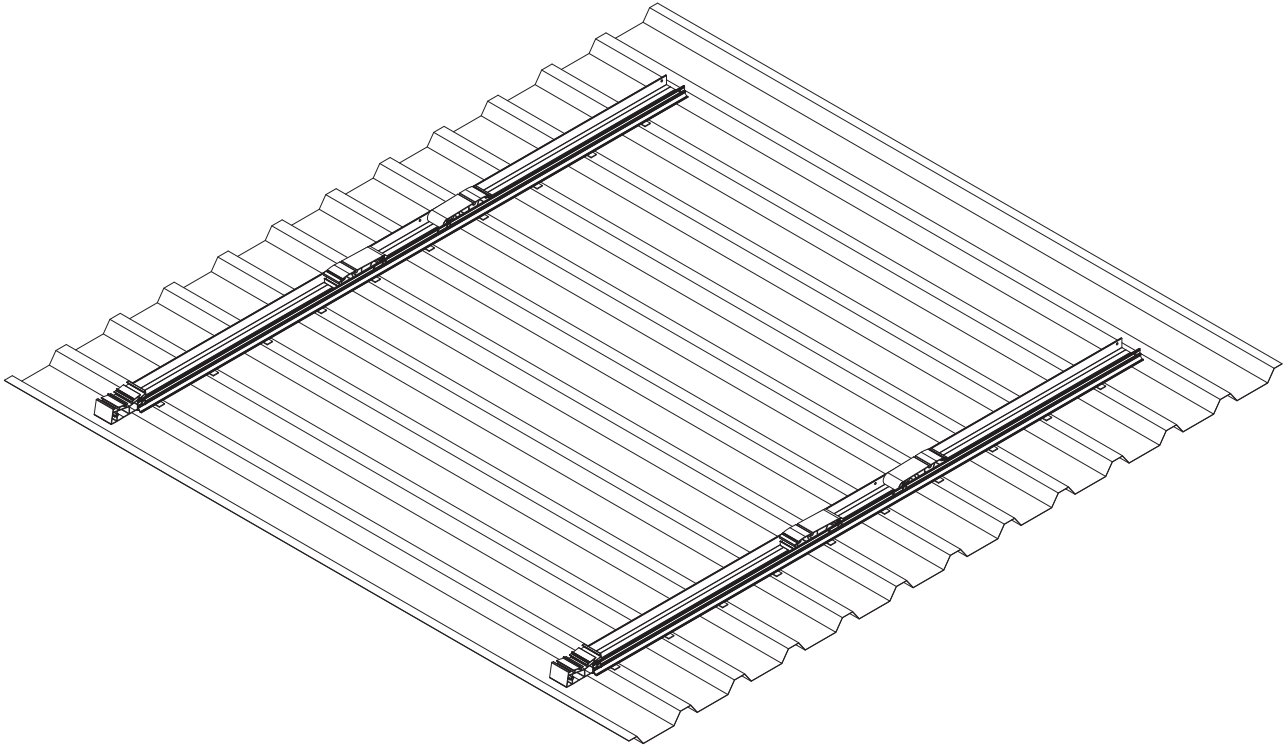
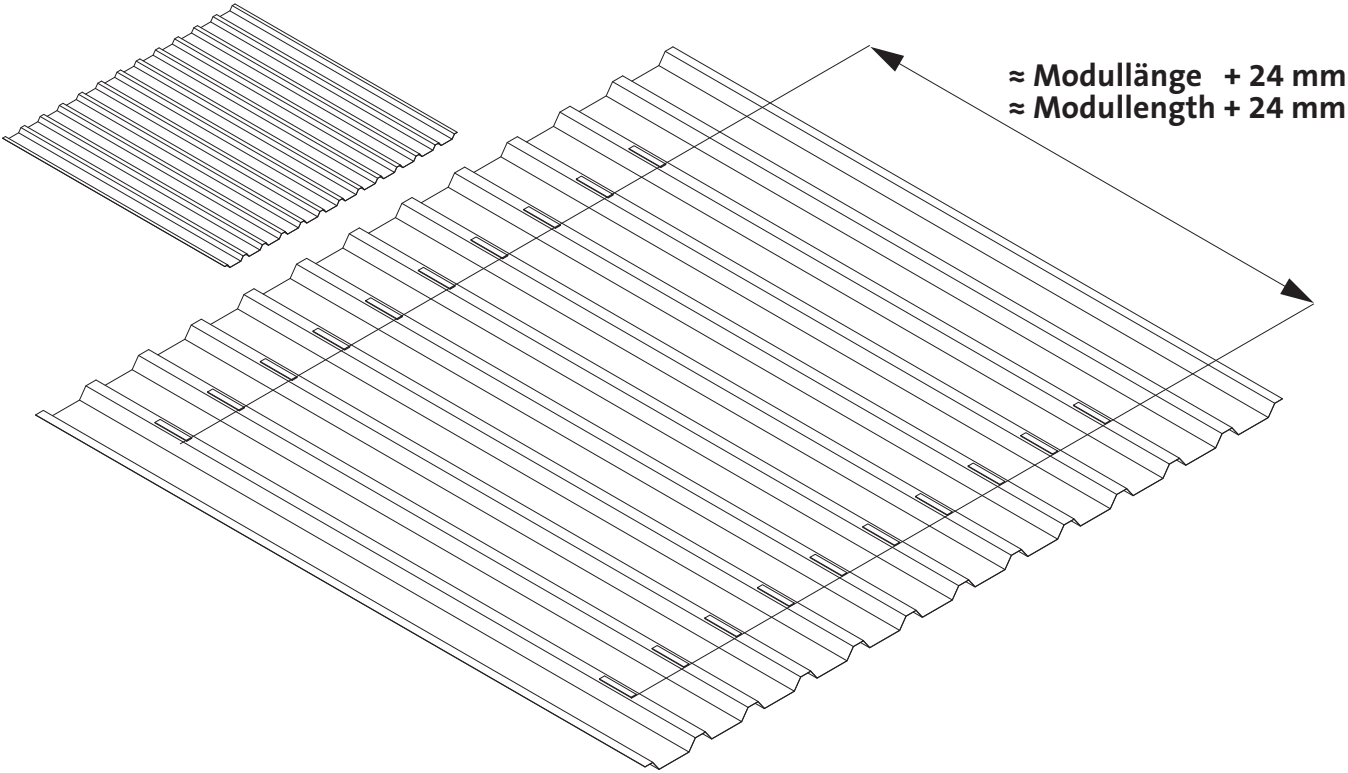
R500232
FS Pro 10-EW Eave support



R500227
FS Pro Securing bolt

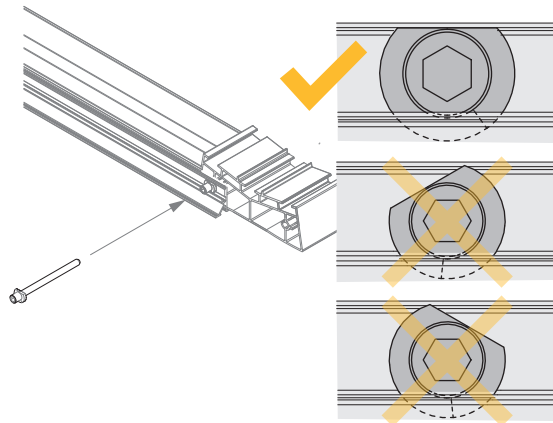
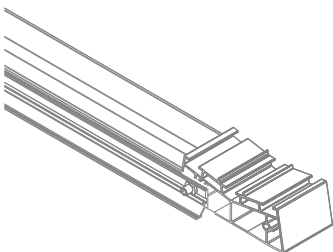
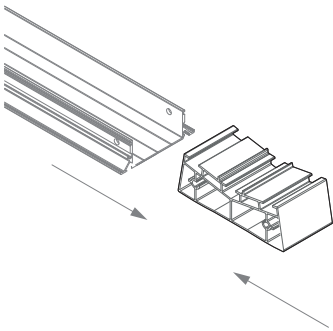
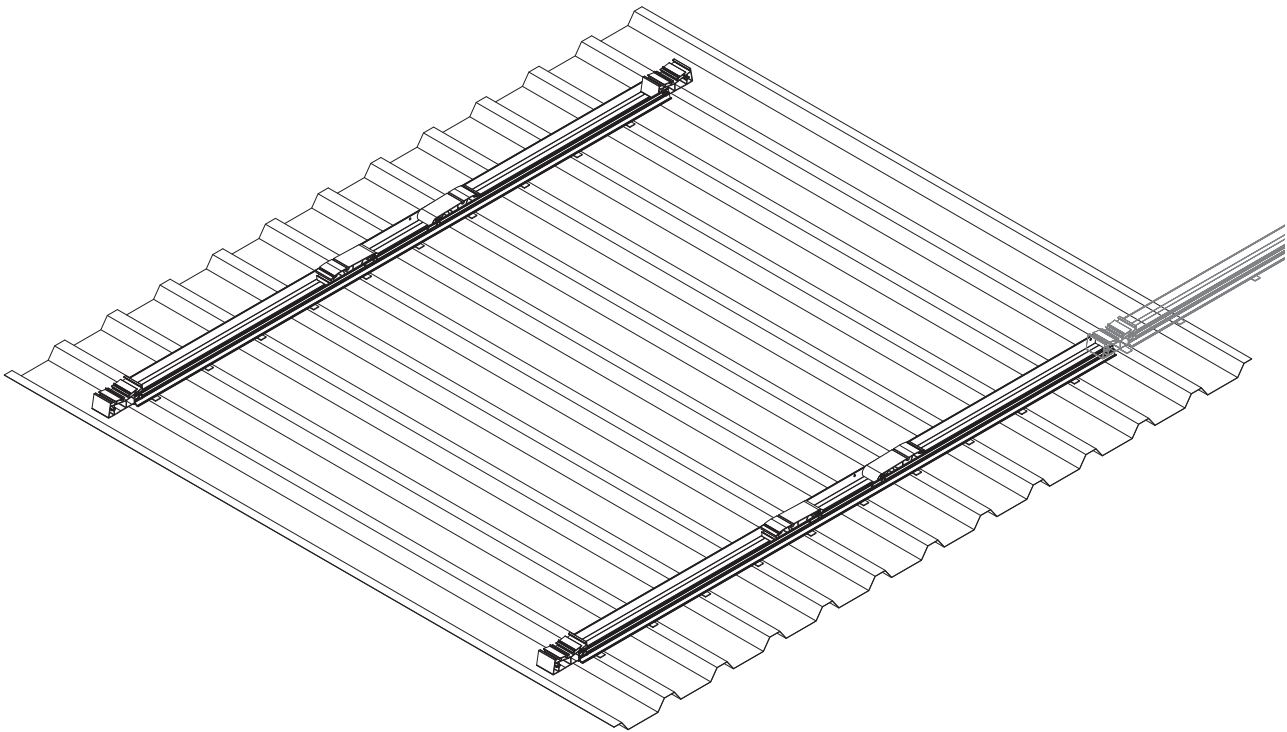


1.



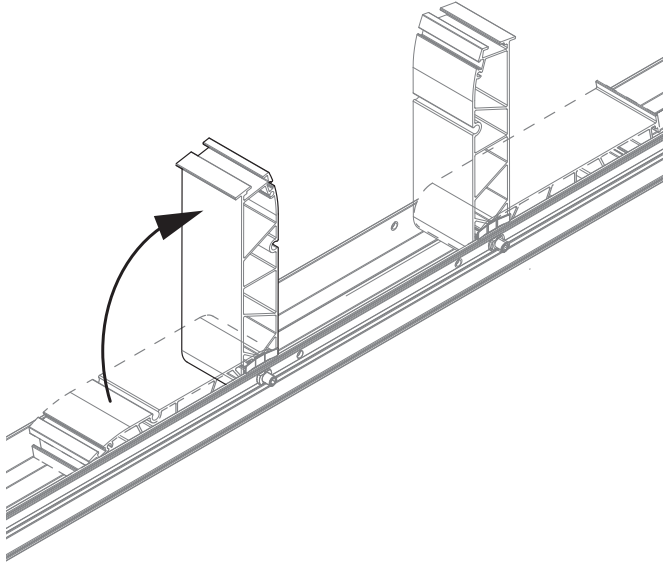
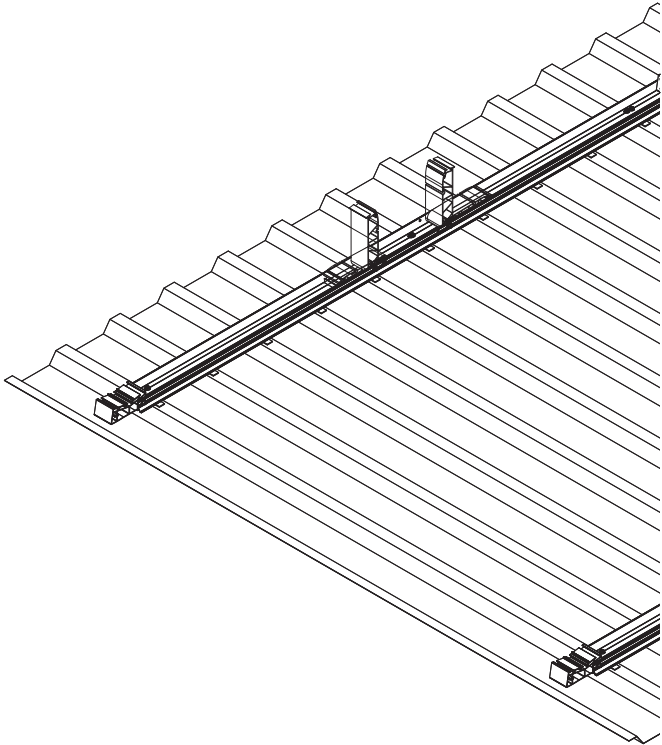
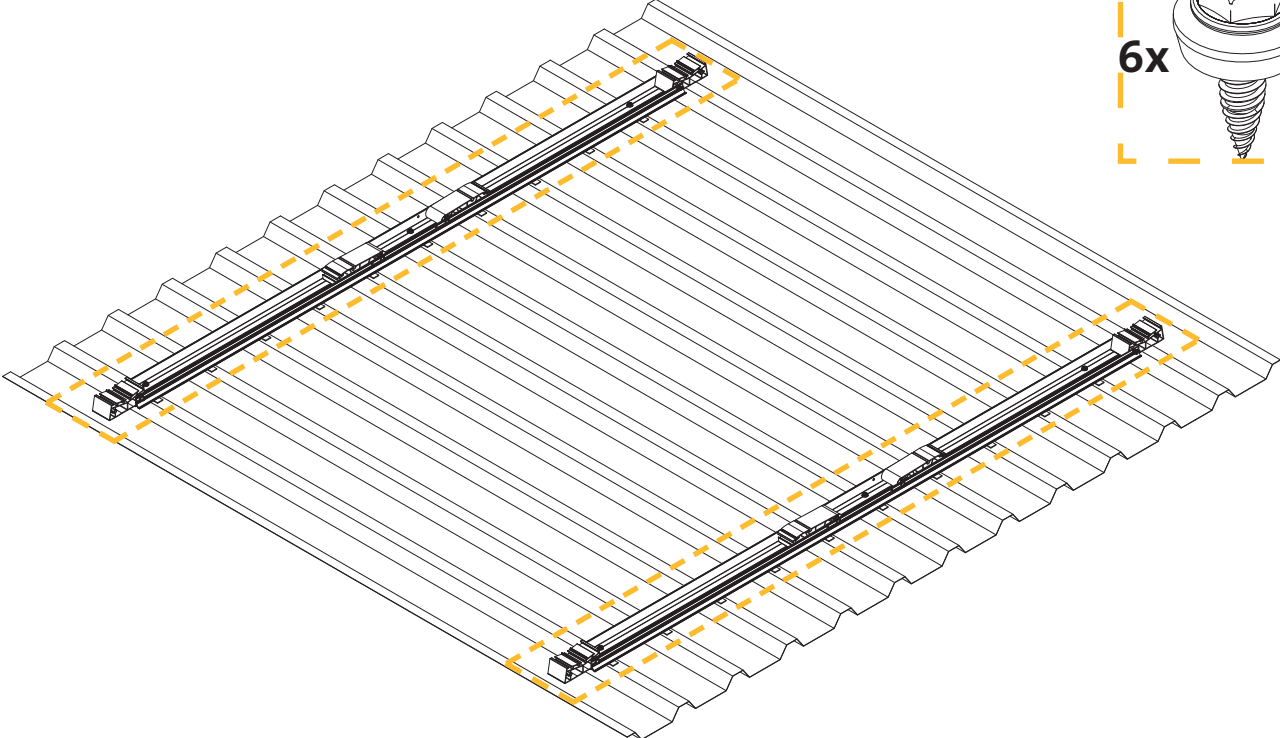
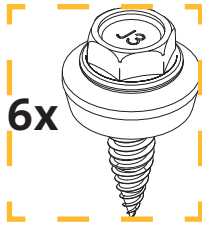
2.

Install an end connection or connect to the next rail according to your layout.

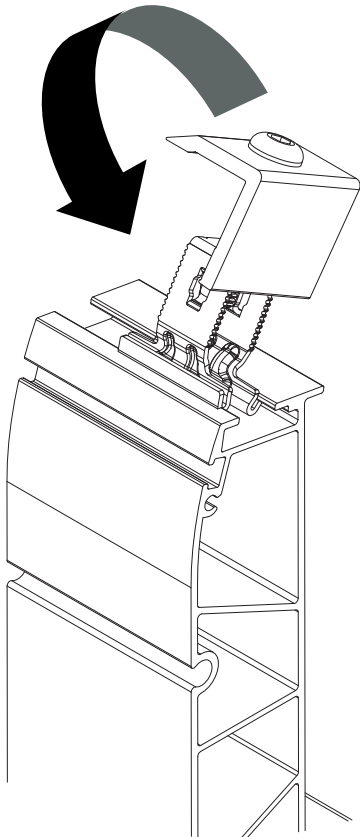
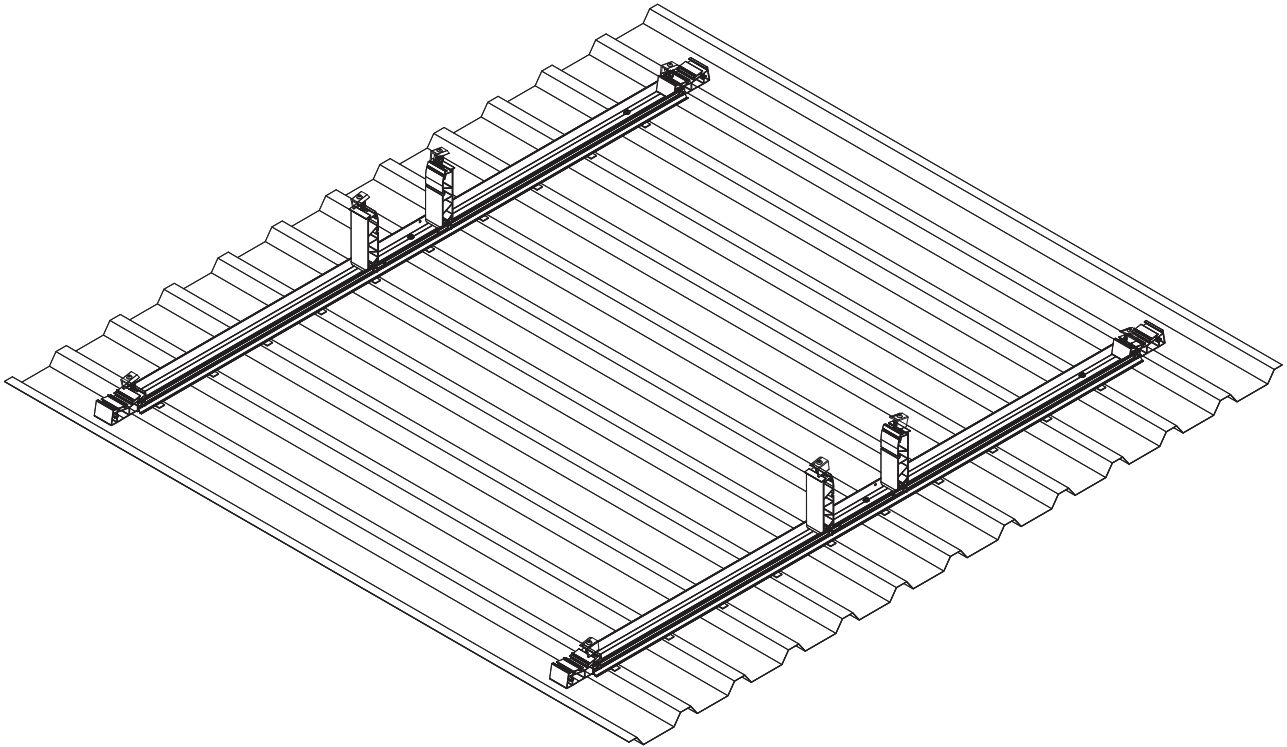


3.

Secure each rail with 6 screws.

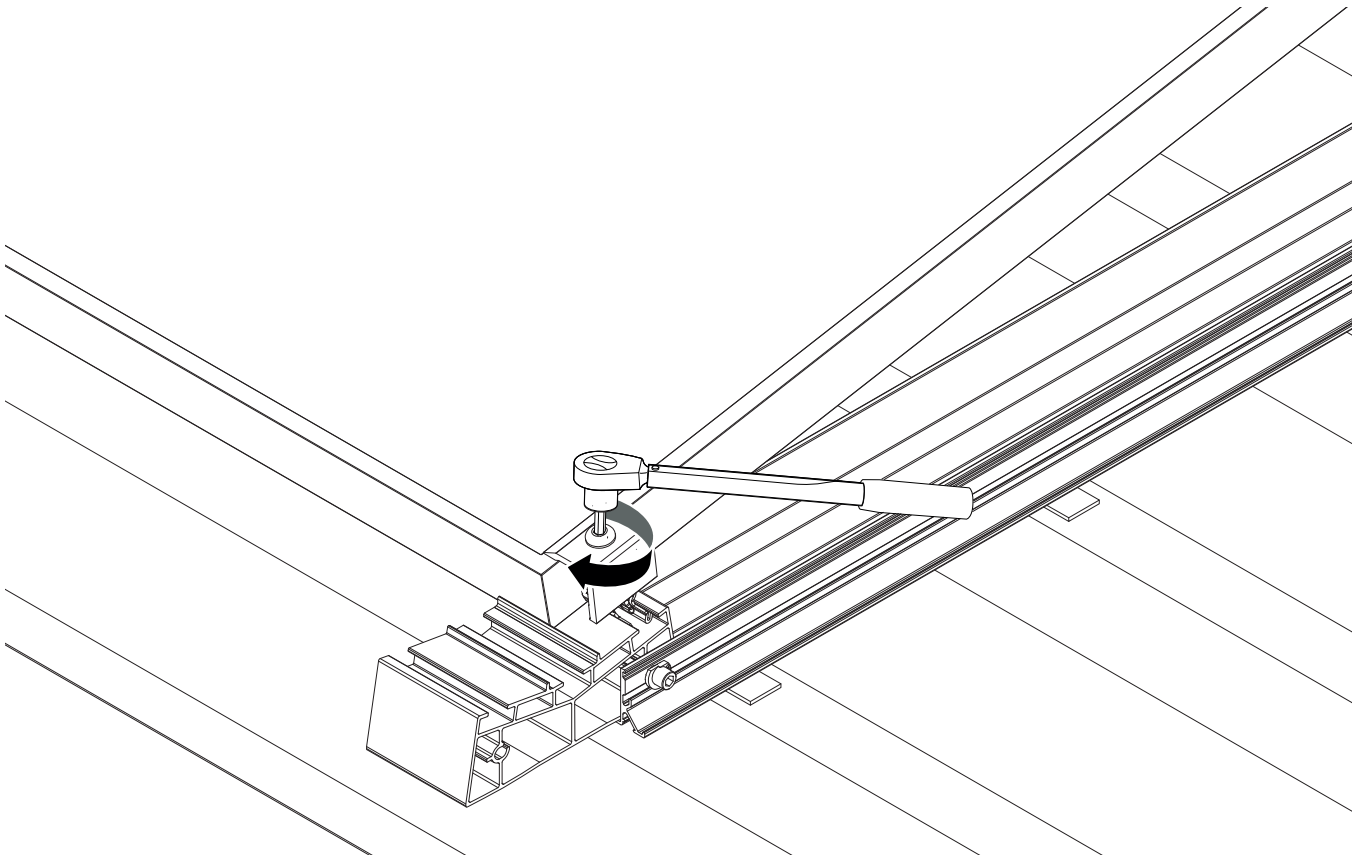
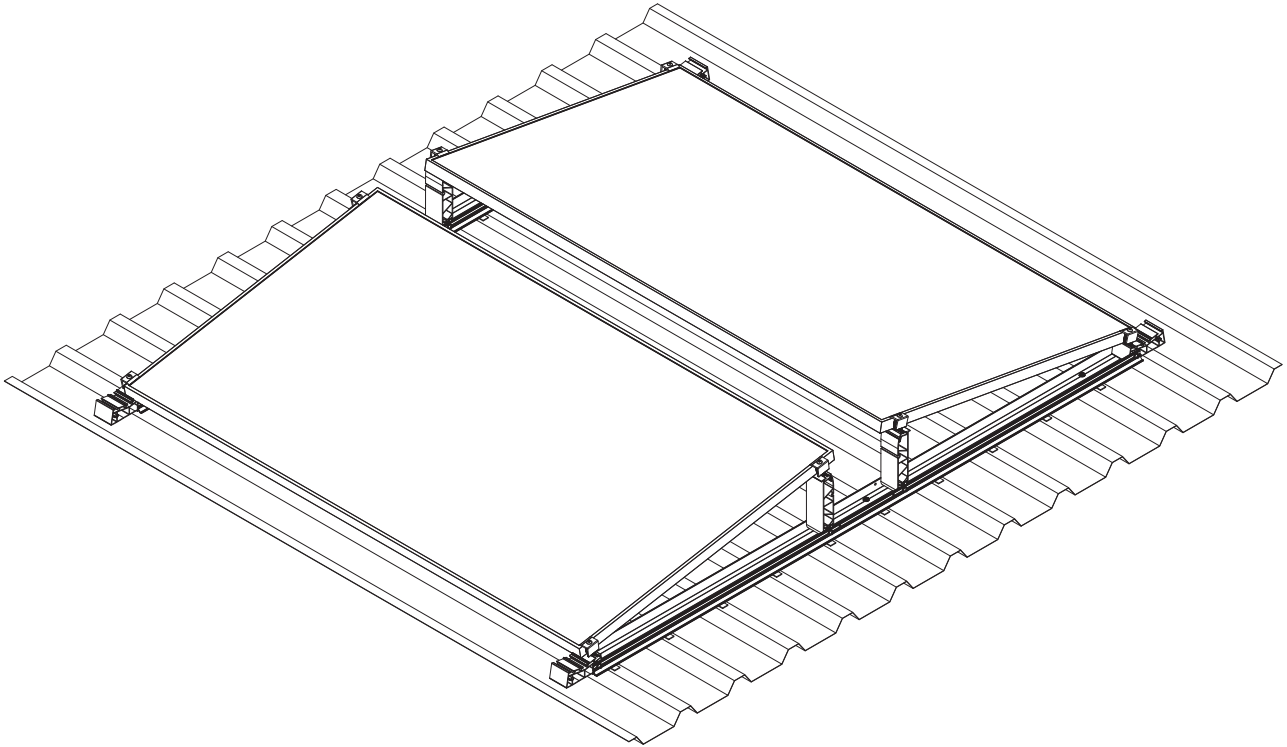


4.



5.

10 Nm 



www.pv-configurator.com

- DE | Abbildungen und Texte entsprechen dem aktuellen technischen Stand bei Drucklegung, Änderungen vorbehalten.
- GB | The images and texts in these instructions relate to the latest technology at the time of printing, subject to modifications.
- FR | Les illustrations et textes sont conformes à l'état de la technique au moment de mise sous presse. Sous toutes réserves de modifications.
- IT | Figure e testi corrispondono allo stato più attuale della tecnica al momento dell'ordine di stampa. Con riserva di modifiche.
- ES | Las imágenes y los textos se corresponden al estado actual de la técnica en el momento de la impresión, reservado el derecho a las modificaciones.
- NL | Afbeeldingen en teksten voldoen aan de actuele stand van de techniek op het moment van ter perse gaan. Wijzigingen voorbehouden.
- DK | Afbildninger og tekster overholder den tekniske stand ved trykningen, der tages forbehold for ændringer.
- SE | Bilder och texter motsvarar den nuvarande tekniska tillstånd vid tidpunkten för tryckning, med förbehåll för ändringar.
- CZ | Vyobrazení a texty odpovídají aktuálnímu technickému stavu při odevzdání do tisku. Změny vyhrazeny.
- PL | Ilustracje i teksty odpowiadają stanowi techniki aktualnemu w chwili oddania instrukcji do druku. Zastrzega się prawo do zmian.
- LT | Spausdinami paveikslėliai ir tekstas atitinka naujausią technikos lygį. Pasilieka me teisę į pakeitimus.
- HU | Az ábrák és a szövegek a nyomtatás időpontjában rendelkezésünkre álló legfrissebb műszaki ismereteknek felelnek meg; a módosítások jogát fenntartjuk.

Renusol Europe GmbH

Piccoloministr. 2

51063 Köln

Deutschland

Telefon: +49 221 788707-0

E-Mail: info@renusol.com

www.renusol.com