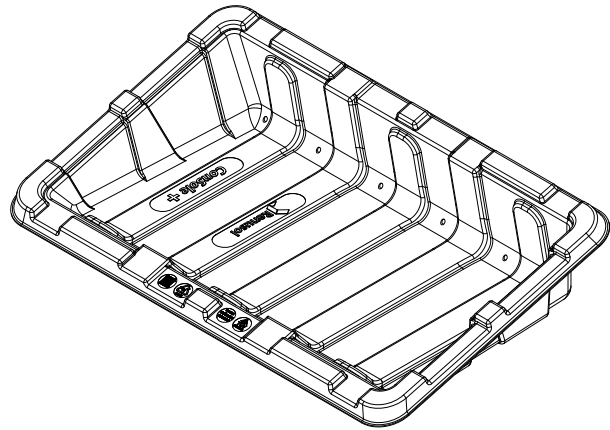


System Datasheet

CS+



General

System	Freestanding ballasted PV mounting system
Scope of delivery	CS+ tub, mounting profiles and fixing material
System warranty	10 years
Application area	Flat roofs, landfills, open spaces, green areas (excluding hydrogen sulphide exposure)
Dimensions	Width: 1.730mm, depth: 1.100 mm, height: 390mm
Roof slope	max. 5° without additional measures
Ambient temperature range	-30°C to +50°C

System properties

System orientation	East-West, South
Material	HDPE, aluminium and stainless steel
Module tilt	15°
System weight approx.	≈ 7,9 kg
Friction coefficient	$\mu = 0,5$ is to be determined and ensured upon installation surface.
Minimum edge distance	1,5 m
Maximum snow load on the roof	2,5 kN/m ²

Certifications

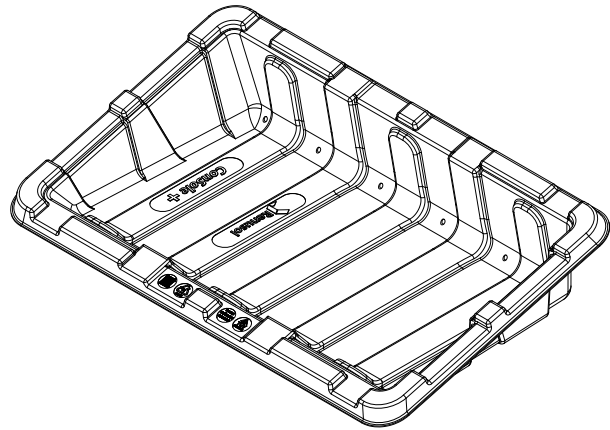
TÜV	ID1111212485 according to 2PFG
Wind loads	Determined in wind tunnel tests by Ruscheweyh Consult GmbH
Fire resistance	MPA Dresden
UV resistance	KIMW Kunststoff Institut Lüdenscheid

Services

PV layout	Provided by Renusol
Ballast plan	Provided by Renusol

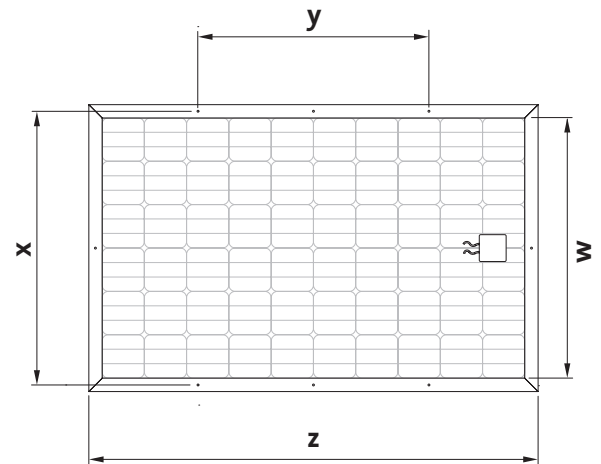
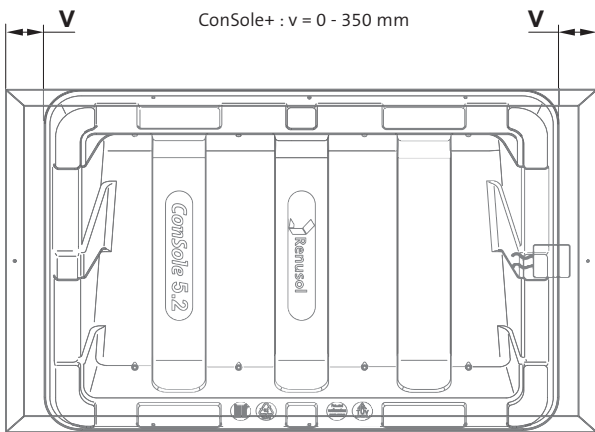
System Datasheet

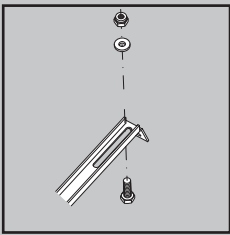
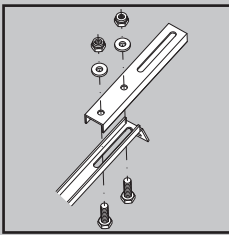
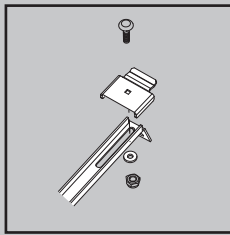
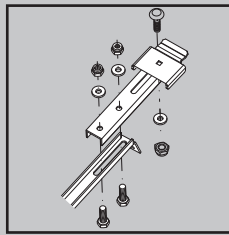
CS+



Modules

Type	Framed PV modules with mounting hole
Module length	1550 mm - 2400 mm
Module guidance	Horizontal/landscape format



				
Article No.	R520075-K	R520075-K + R460196	R520075-K + R420023	R520075-K + R460196 + R420023
Modul min. - max. w:	nicht benötigt / not required	nicht benötigt / not required	920 mm - 995 mm	996 mm - 1100 mm
Modul min. - max. x:	895 mm - 1015 mm	1016 mm - 1110 mm	nicht benötigt / not required	nicht benötigt / not required
Modul min. - max. y:	690 mm - 1180 mm	690 mm - 1180 mm	nicht benötigt / not required	nicht benötigt / not required
Modul min. - max. z:	1550 mm - 2400 mm	1550 mm - 2400 mm	1550 mm - 2400 mm	1550 mm - 2400 mm