

## Flat Roof Enquiry Form

This Enquiry Form contains form fields.

### Contact Details

Company Name: \_\_\_\_\_

Street, Number \_\_\_\_\_

City, Post code: \_\_\_\_\_

Contact Person: \_\_\_\_\_

Phone/Fax: \_\_\_\_\_

E-Mail: \_\_\_\_\_

### Project Details

Project Name: \_\_\_\_\_

Street, Number: \_\_\_\_\_

City, Post Code: \_\_\_\_\_

County: \_\_\_\_\_

Contact Person: \_\_\_\_\_

Contact Person Phone: \_\_\_\_\_

Wind load: \_\_\_\_\_ kN/m<sup>2</sup>    Snow load: \_\_\_\_\_ kN/m<sup>2</sup>  
(if known)

### Terrain Category

Town



Country

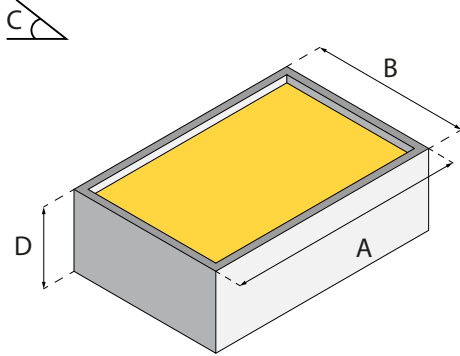


Sea



## Roof dimensions

(provide plans if possible)



A) Length: \_\_\_\_\_ m

B) Width: \_\_\_\_\_ m

C) Slope of a roof: \_\_\_\_\_ °

D) Building height: \_\_\_\_\_ m

Parapet height: \_\_\_\_\_ mm

Parapet width: \_\_\_\_\_ mm

## Desired system

Ballasted  
(penetration-free)

Fixed to substructure

## Roof substructure (not needed for ballasted systems)

Wood

Steel

Concrete

other: \_\_\_\_\_

Rafter-/Purlin spacing: \_\_\_\_\_ mm

## Rafter-/Purlin shape (not needed for ballasted Systems)

Rectangular

square beam

I - beam

U - beam

Z - beam



Usuable depth of engagement: \_\_\_\_\_ mm

## Roofing

Manufacturer Type: \_\_\_\_\_

Foil

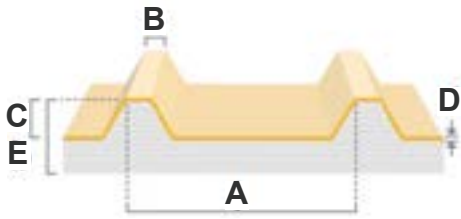
Bitumen

Gravel

other: \_\_\_\_\_

friction coefficient, if known: \_\_\_\_\_

## Sandwich sheet/ Corrugated sheet - dimensions



Raised bead spacing A : (mm) \_\_\_\_\_

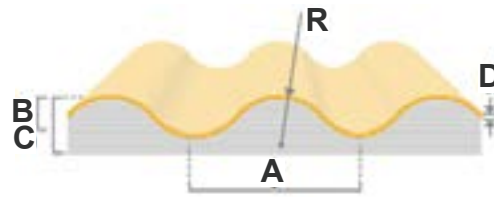
Raised bead width B : (mm) \_\_\_\_\_

Raised bead height C : (mm) \_\_\_\_\_

Sheet thickness D : (mm) \_\_\_\_\_

Sandwich height E : (mm) \_\_\_\_\_

Sheet material :  Steel  Aluminium



Radius R : (mm) \_\_\_\_\_

Corrugated flute spacing A : (mm) \_\_\_\_\_

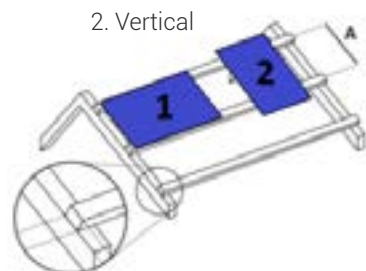
Corrugated flute height B : (mm) \_\_\_\_\_

Sheet thickness D : (mm) \_\_\_\_\_

Sandwich height C : (mm) \_\_\_\_\_

Sheet material :  Steel  Aluminium  
 Fibre cement

## System

	Ballasted System	Fixed System	
South System	FS Pro 10-S (10°)	FS Pro 10-S IFP	Orientation of modules relative to substructure 1. Parallel 2. Vertical
	FS Pro 18-S (18°)	FS Pro 18-S IFP	
	CS+ (15°)	VS+	
		TS+ (10° - 35°)	Incline:
			10° 15° 20°
			25° 30° 35°
East/West System	FS Pro-10EW (10°)	FS Pro 10-EW IFP	
	CS+ (15°)	MS+/ MS+P	
		VS+	
		TS+ (10° - 35°)	Incline:
			10° 15° 20°
			25° 30° 35°

## Layout details

System size \_\_\_\_\_ kWp  
Maximum possible

Number of rows: \_\_\_\_\_

Number of columns: \_\_\_\_\_

## Component color

Clamps  Black  Silver  
Rails  Black  Silver

## Photovoltaic Modul dimension

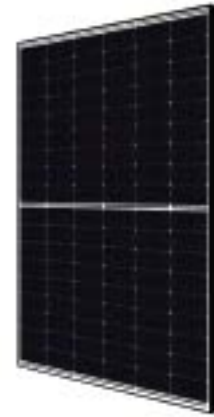
Manufacturer/Type: \_\_\_\_\_

Module length: \_\_\_\_\_ mm

Module width: \_\_\_\_\_ mm

Module thickness: \_\_\_\_\_ mm

Maximum power output: \_\_\_\_\_ Wp



For non-uniform layouts please use the grid below or provide a plan/ drawing.

## Further notes

For technical enquiries and assistance with you project please don't hesitate to contact our technical department.