

## Flat Roof Enquiry Form

This Enquiry Form contains form fields.

### Contact Details

Company Name: \_\_\_\_\_

Street, Number \_\_\_\_\_

City, Post code: \_\_\_\_\_

Contact Person: \_\_\_\_\_

Phone/Fax: \_\_\_\_\_

E-Mail: \_\_\_\_\_

### Project Details

Project Name: \_\_\_\_\_

Street, Number: \_\_\_\_\_

City, Post Code: \_\_\_\_\_

County: \_\_\_\_\_

Contact Person: \_\_\_\_\_

Contact Person Phone: \_\_\_\_\_

Wind load: \_\_\_\_\_ kN/m<sup>2</sup> Snow load: \_\_\_\_\_ kN/m<sup>2</sup>  
(if known)

### Terrain Category

Town



Country



Sea

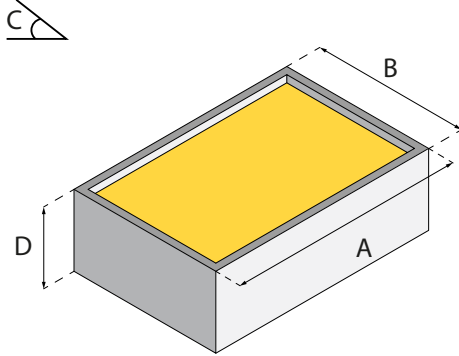


Distance to the Sea: \_\_\_\_\_ km

Distance to the edge of town: \_\_\_\_\_ km

## Roof dimensions

(provide plans if possible)



A) Length: \_\_\_\_\_ m

B) Width: \_\_\_\_\_ m

C) Slope of a roof: \_\_\_\_\_ °

D) Building height: \_\_\_\_\_ m

Parapet height: \_\_\_\_\_ mm

Parapet width: \_\_\_\_\_ mm

## Desired system

Ballasted  
(penetration-free)

Fixed to substructure

## Roof substructure (not needed for ballasted systems)

Wood

Steel

Concrete

other: \_\_\_\_\_

Rafter-/Purlin spacing: \_\_\_\_\_ mm

## Rafter-/Purlin shape (not needed for ballasted Systems)

Rectangular

square beam

I - beam

U - beam

Z - beam



Usuable depth of engagement: \_\_\_\_\_ mm

## Roofing

Manufacturer Type: \_\_\_\_\_

Foil

Bitumen

Gravel

other: \_\_\_\_\_

friction coefficient, if known: \_\_\_\_\_

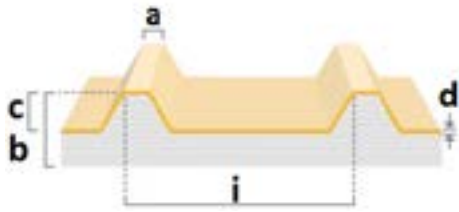
Sandwich sheet/  
Corrugated sheet/  
Sandwich

Steel

Aluminium

Fibre cement

## Sandwich sheet/ Corrugated sheet - dimensions



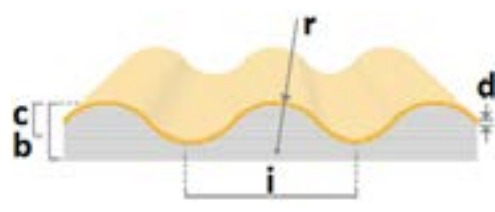
Crown width a: \_\_\_\_\_ mm

Crown spacing i: \_\_\_\_\_ mm

Trapezoidal peak height c: \_\_\_\_\_ mm

Sheet Thickness: \_\_\_\_\_ mm

Sandwich height b: \_\_\_\_\_ mm



Radius r: \_\_\_\_\_ mm

Peak spacing i: \_\_\_\_\_ mm

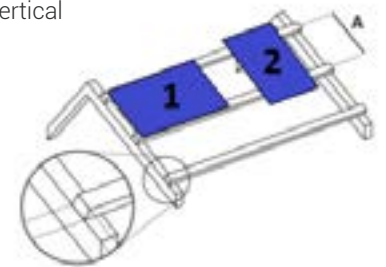
Corrugation height c: \_\_\_\_\_ mm

Sheet thickness d: \_\_\_\_\_ mm

Sandwich height b: \_\_\_\_\_ mm

## System

	Ballasted System	Fixed System	Orientation of modules relative to substructure
South System	FS10S/FS18S (10°, 18°) CS+ (15°)	TS+ (10° -35°) MS+/ MS+P VS+	1. Parallel 2. Vertical
East/West System	FS10EW (10°) CS+ (15°)	TS+ (10° -35°) MS+/ MS+P VS+	



## Layout details

System size \_\_\_\_\_ kWp

Number of rows: \_\_\_\_\_

Maximum possible

Number of columns: \_\_\_\_\_

## Component color

Clamps	Black	Silver
Rails	Black	Silver

## Photovoltaic Modul dimension

Manufacturer/Type: \_\_\_\_\_

Framed

Laminate

Module length: \_\_\_\_\_ mm

Module width: \_\_\_\_\_ mm

Module thickness: \_\_\_\_\_ mm

For non-uniform layouts please use the grid below or provide a plan/ drawing.

## Further notes

For technical enquiries and assistance with you project please don't hesitate to contact our technical department.