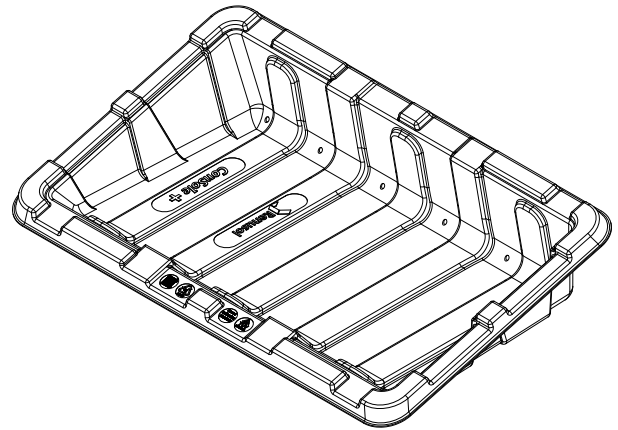


System Datasheet

CS+



General

System	Stand alone ballasted PV-Mounting system
Components	CS+ tub, mounting rails and fastening material
Product warranty	10 years
Application area	flat roof, landfill, open space
Dimensions	Width: 1,730mm, Depth: 1,100 mm, Height: 390mm
Installation area slope	max. 5°
Ambient temperature range	-30°C to +50°C

System properties

System orientation	South
Module tilt	15°
System weight approx.	7.9 kg
Friction coefficient	$\mu = 0.5$ has to be determined and ensured upon installation surface
Material	HDPE, aluminum and stainless steel
Minimum edge distance	1.5 m

PV-Modules

Type	framed PV-modules with mounting holes
Module length	length: 1,550mm - 1,730mm
Distance mounting holes	long side: 690 - 1,180 mm, short side: 895 - 1,014
Orientation	Horizontal/Landscape

Certification

Fire resistance	MPA Dresden
UV resistance	KIMW Kunststoff Institut Lüdenscheid
Wind loads	Determined in wind tunnel tests by Ruscheweyh Consult GmbH
TÜV (DE)	ID000048970 according to 2PFG

Services

Ballast plan	Provided by Renusol
PV layout	Provided by Renusol