

**Inquiry form PV on-roof**

**Contact details**

Company: \_\_\_\_\_

Street, no.: \_\_\_\_\_

Postcode/town: \_\_\_\_\_

Country: \_\_\_\_\_

Contact Person: \_\_\_\_\_

Telephone/Telefax: \_\_\_\_\_

Email: \_\_\_\_\_

**Project information**

Project name: \_\_\_\_\_

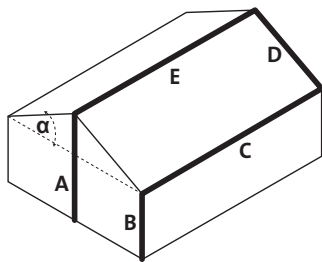
Street, no.: \_\_\_\_\_

Postcode/town: \_\_\_\_\_

Country: \_\_\_\_\_

**Roof layout, Dimensions and -direction**

- Pitched roof
- Saddle  Mono-pitch  Hipped



A.) Ridge height [m] \_\_\_\_\_

B.) Eaves height [m] \_\_\_\_\_

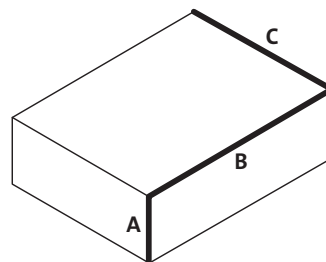
C.) Eaves length [m] \_\_\_\_\_

D.) Gableboard [m] \_\_\_\_\_

E.) Ridge length [m] \_\_\_\_\_

α.) Inclination [°] \_\_\_\_\_

- Flat roof



A.) Building height [m] \_\_\_\_\_

B.) Building length [m] \_\_\_\_\_

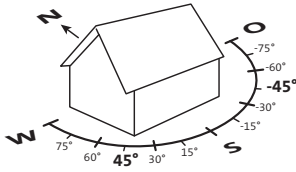
C.) Building depth [m] \_\_\_\_\_

D.) Attic  yes Height [mm] \_\_\_\_\_  no

E.) Ballast  yes  no

F.) Substructure connection  yes  no

Roof orientation (Azimuth)



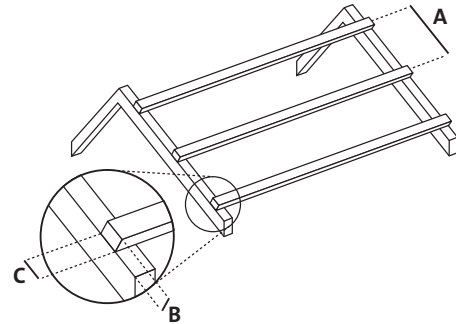
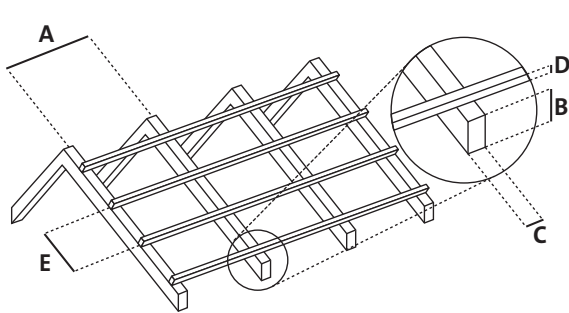
Orientation (°) \_\_\_\_\_

**Roof substructure and -composition**

Rafter  Purlin  
 Wood  Steel  Concrete  On-roof insulation  Other \_\_\_\_\_

Manufacturer: \_\_\_\_\_

Type/Classification: \_\_\_\_\_



A.) Rafter distance [mm] \_\_\_\_\_

B.) Rafter height [mm] \_\_\_\_\_

C.) Rafter width [mm] \_\_\_\_\_

D.) Batten height [mm] \_\_\_\_\_

E.) Cover width [mm] \_\_\_\_\_

A.) Purlin distance [mm] \_\_\_\_\_

B.) Purlin height [mm] \_\_\_\_\_

C.) Purlin width [mm] \_\_\_\_\_

**Roof covering**

Tile/Saddle stone  
 Bitumen  Sheet/plastics  Standing seam (data sheet required)  
 Other \_\_\_\_\_

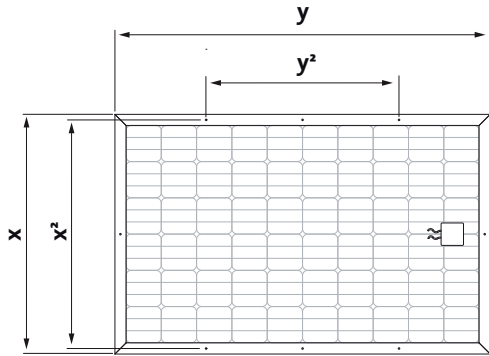
Manufacturer: \_\_\_\_\_

Type/Classification: \_\_\_\_\_



Framed

Laminate



Length (y) [mm] \_\_\_\_\_

Width (x) [mm] \_\_\_\_\_

Hole spacing ( $y^2$ ) [mm] \_\_\_\_\_

Hole spacing ( $x^2$ ) [mm] \_\_\_\_\_

Thickness [mm] \_\_\_\_\_

**Modul Array**

Portrait       Landscape

Number of lines \_\_\_\_\_

Number of columns \_\_\_\_\_

**Module layout**

Full area       Partial area

**Obstacles**

yes (Drawing required)       no

**Shadowing objects**

yes (Drawing required)       no

**For technical questions we are at your service**

**Yours Renusol Application technology service**

Telephone:      +49 221 788707-29

Telefax:      +49 221 788707-98

Email:      ts@renusol.com